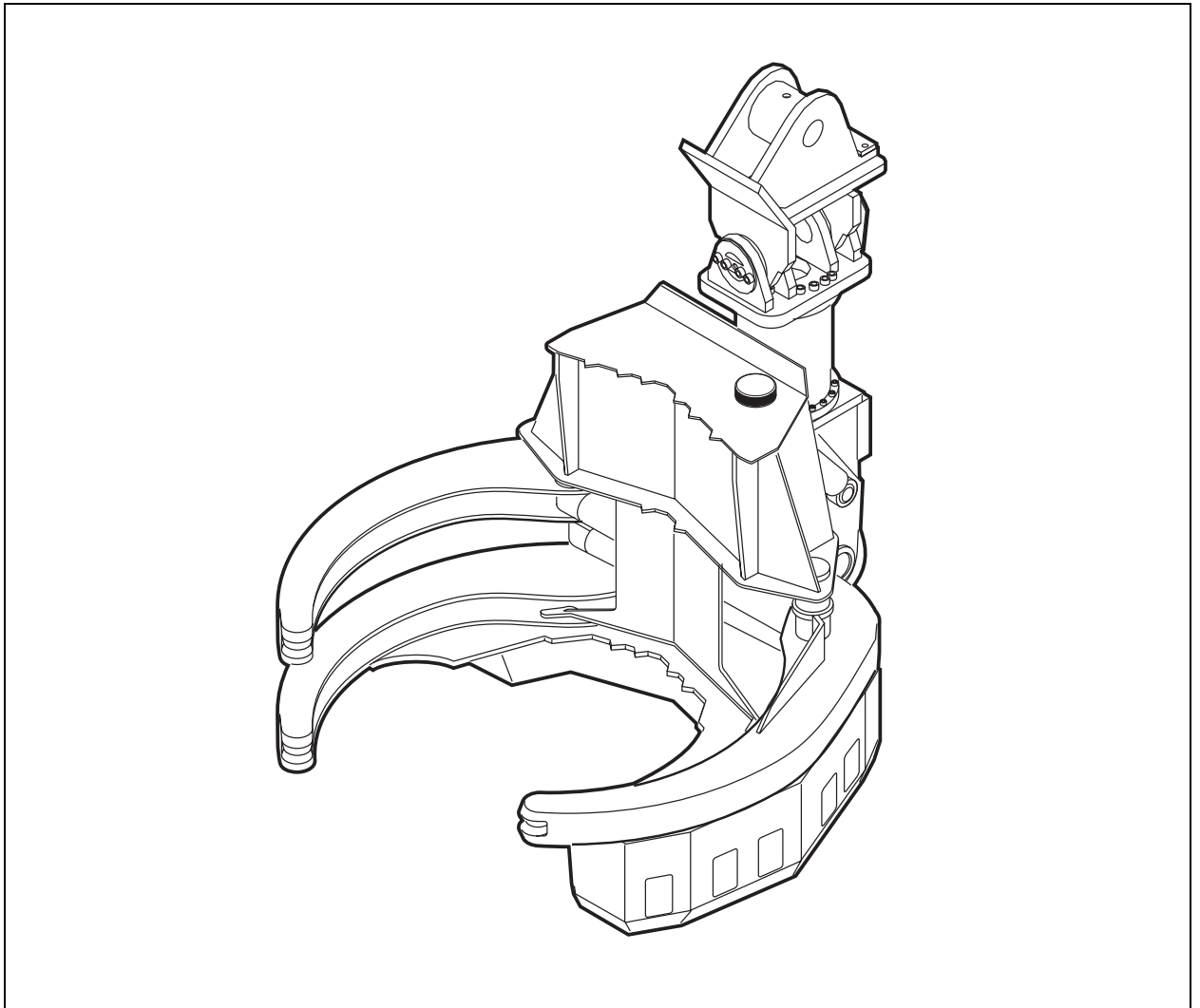


# HULTDINS *SuperFell*™

---



## SuperFell 851

---

Parts manual  
S/N 042-0024 and up

This publication contains instructions regarding spare parts for SuperFell 851 with S/N 042-0024 and up. If doubt should arise concerning the validity of the instructions please consult the nearest dealer for more detailed information.

Illustrations, technical information and specifications were, as far as we have been able to judge, correct at the time of print. However, we reserve the right to, without prior notice, revise specifications, instructions, equipment, etc. as a result of ongoing product improvement activities. To make sure that the correct spare parts are delivered, it is of great assistance if the following information is quoted on the order:

- Serial number of the product. Refer to the service manual on how to locate the S/N.
- Part number of the spare part.
- Description of the spare part.
- Required quantity

No part of this publication may without approval of HULTDIN SYSTEM AB be translated, reproduced, stored or transmitted electronically, mechanically, photographically or in another way not specified here.

Even if all conceivable measures have been taken to make the contents as complete as possible, HULTDIN SYSTEM AB takes no responsibility for possible damages that may arise as a result of the instructions not being followed or improper use of the product.

 **Important!**

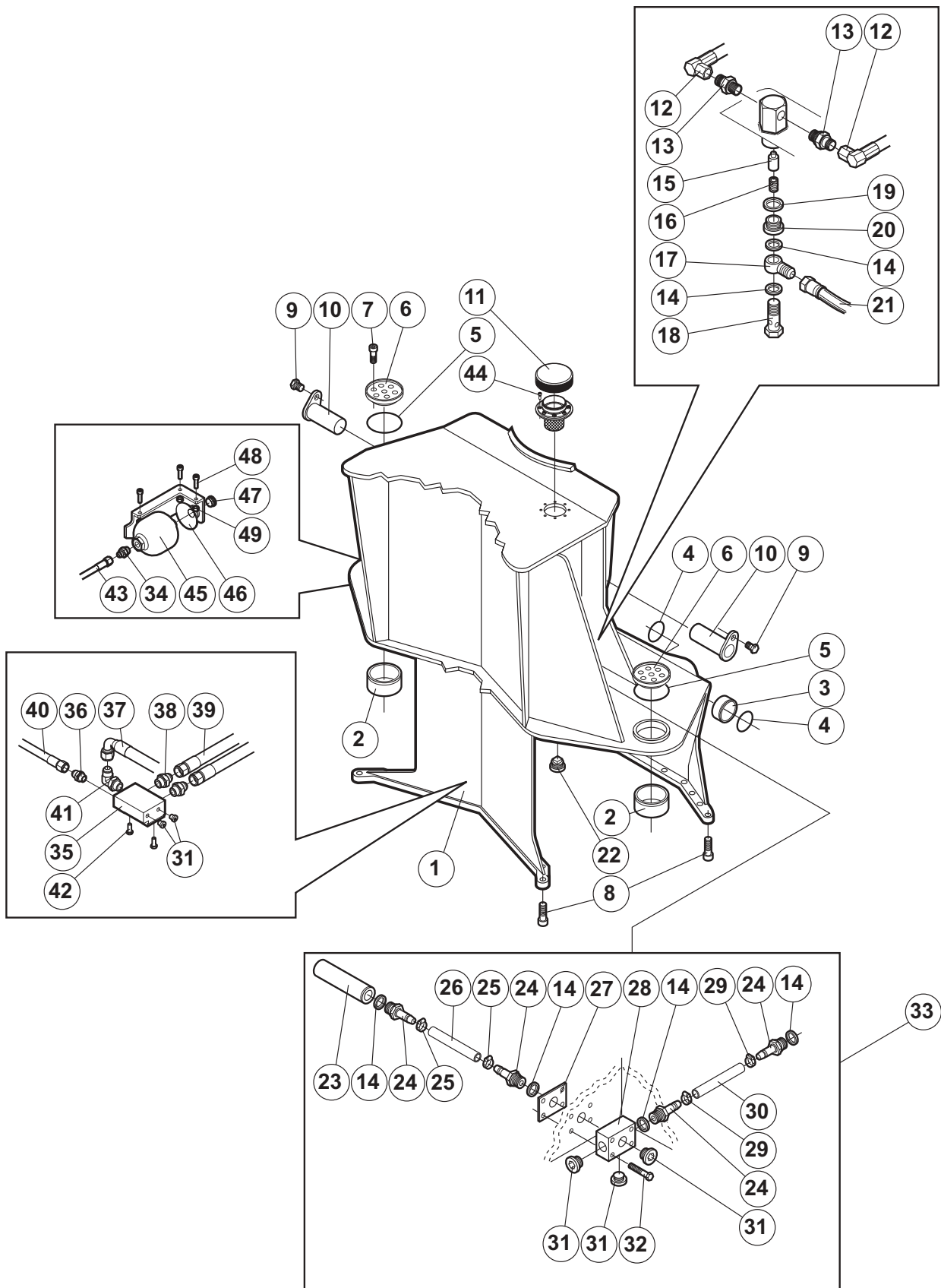
The parts and components used in HULTDIN SYSTEM AB's products are specifically chosen. Therefore original spare parts are always the best alternative in a possible need of repairs or upgrading.

All service and repairs should be carried out by qualified service personnel or an authorized repair shop with suitable tools and lifting devices.

This publication is published by: HULTDIN SYSTEM AB  
Skolgatan 12  
SE-930 70 MALÅ  
Sweden

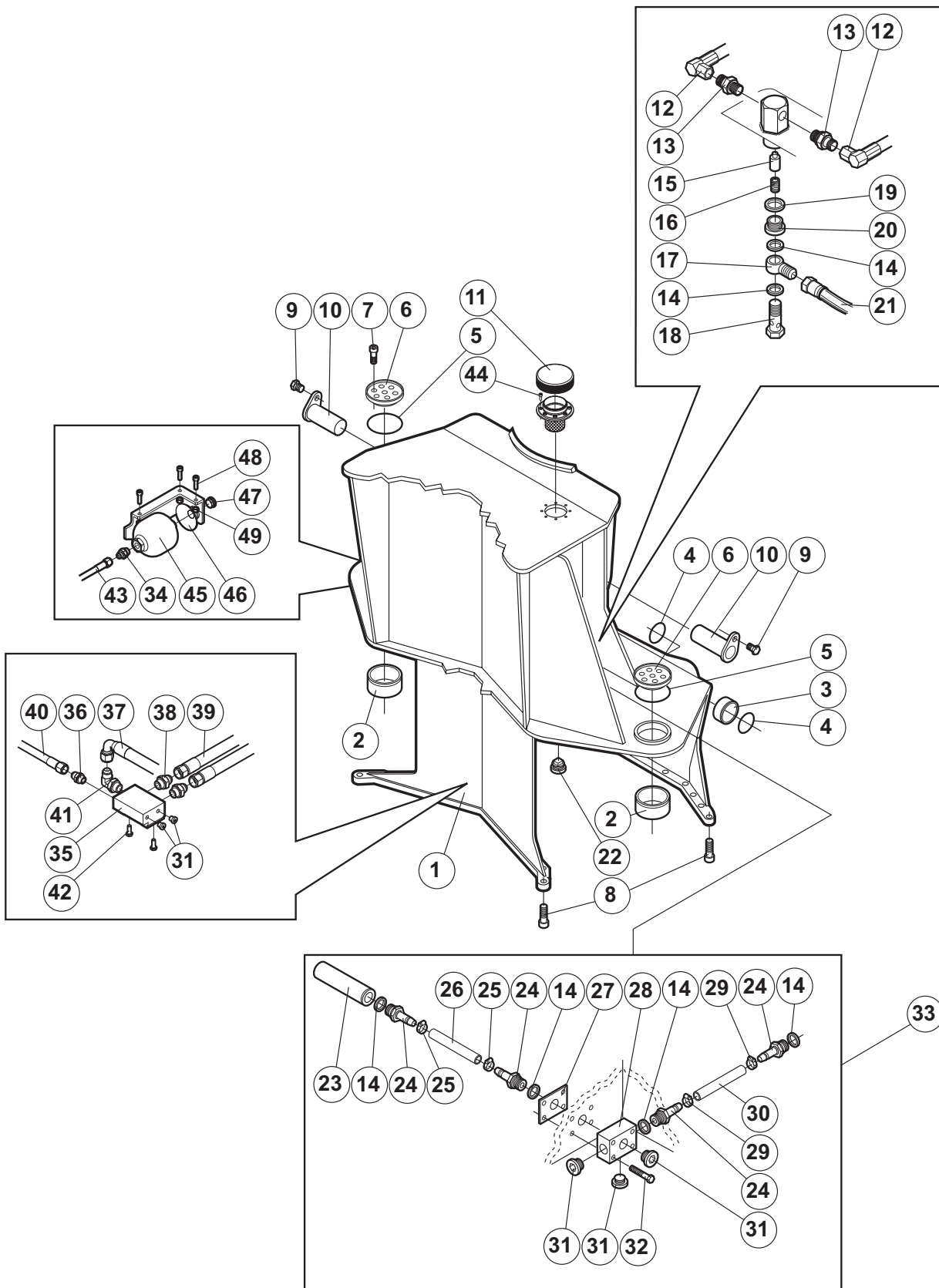
<b>Contents</b>	<b>Page</b>
SuperFell 851 - Main Frame.....	4
SuperFell 851 - Main Frame.....	6
SuperFell 851 - Tilt Frame .....	8
SuperFell 851 - Link.....	10
SuperFell 851 - Saw Box with Grapple.....	12
SuperFell 851 - Saw Unit / Saw Bar Limiter.....	14
Saw Unit Assy. ....	16
Tension Device Assy.....	18
Bar Holder Assy.....	20
Lubrication System .....	22
Saw Motor Assy. - F12-40.....	24
SuperFell 851 - Saw Motor Manifold.....	26
SuperFell 851 - Grapple Cylinder Assy.....	28
SuperFell 851 - Tilt Cylinder Assy.....	30
Filler Cap 0699045 .....	32
Pressure Regulating Valve Kit.....	34
SuperFell 851 - Tools and labels .....	36
Special Tools - SuperCut 300 .....	38

SuperFell 851 - Main Frame



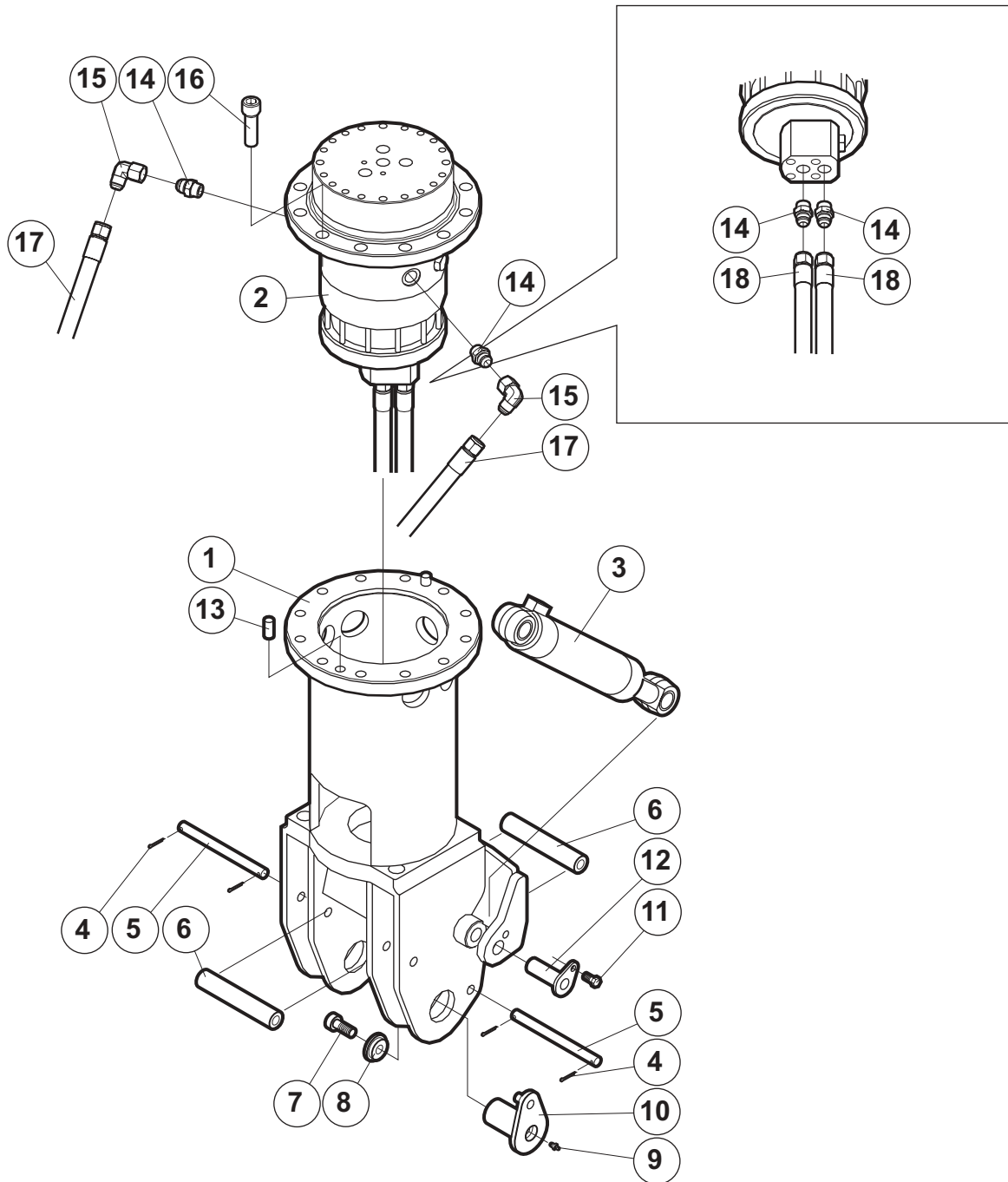
Item #	Qty	Part No.	Description	Notes
1	1	0699 030	Main Frame	
2	2	0124 009	Bushing	
3	2	0124 010	Bushing	
4	4	0118 038	O-ring	110 x 5
5	2	0118 039	O-ring	90 x 5
6	2	0676 596	Washer	
7	12	0104 008	Socket hd. Cap Screw	ISO 4762 - M12 x 30, 12.9
8	28	0104 494	Socket hd. Cap Screw	ISO 4762 - M16 x 40, 12.9
9	2	0632 601	Locking Screw	
10	2	0676 712	Pin	
11	1	0699 045	Filler Cap assy.	
12	2	0676 691	Hose assy.	FJIC #8 90° - FJIC #8 str. cut length = 24" (600mm)
13	2	0130 183	Nipple	8-4F4OMX
14	6	0106 579	Bonded Seal	BSP #4
15	1	0703 018	Valve	
16	1	0114 535	Compression Spring	
17	1	0662 395	Nipple	
18	1	0130 193	Banjo Screw	BSPP #4
19	1	0106 577	Bonded Seal	BSP #8
20	1	0678 167	Nipple	
21	1	0676 807	Hose assy.	FJIC #6 str. - FJIC #6 90° cut length = 53" (1320mm)
22	1	0130 070	Magnetic Plug	M22 x 1.5
23	1	0676 734	Pipe	
24	4	0131 016	Nipple	MBSP #4
25	2	0135 500	Hose Clamp	
26	1	0684 065	Hose	9.5 x 2.8mm L=14" (350mm)
27	1	0676 737	Gasket	
28	1	0676 733	Manifold	
29	2	0135 014	Hose Clamp	
30	1	0699 054	Hose	9.5 x 2.8mm L=54" (1350mm)
31	5	0130 178	Plug	VSTI #4
32	4	0104 530	Hex hd. Screw	M6 x 35, 8.8
33	1	0676 735	Suction Line Kit	
34	1	0130 333	Nipple	8-8F4OMX
35	1	0684 196	Manifold	

SuperFell 851 - Main Frame



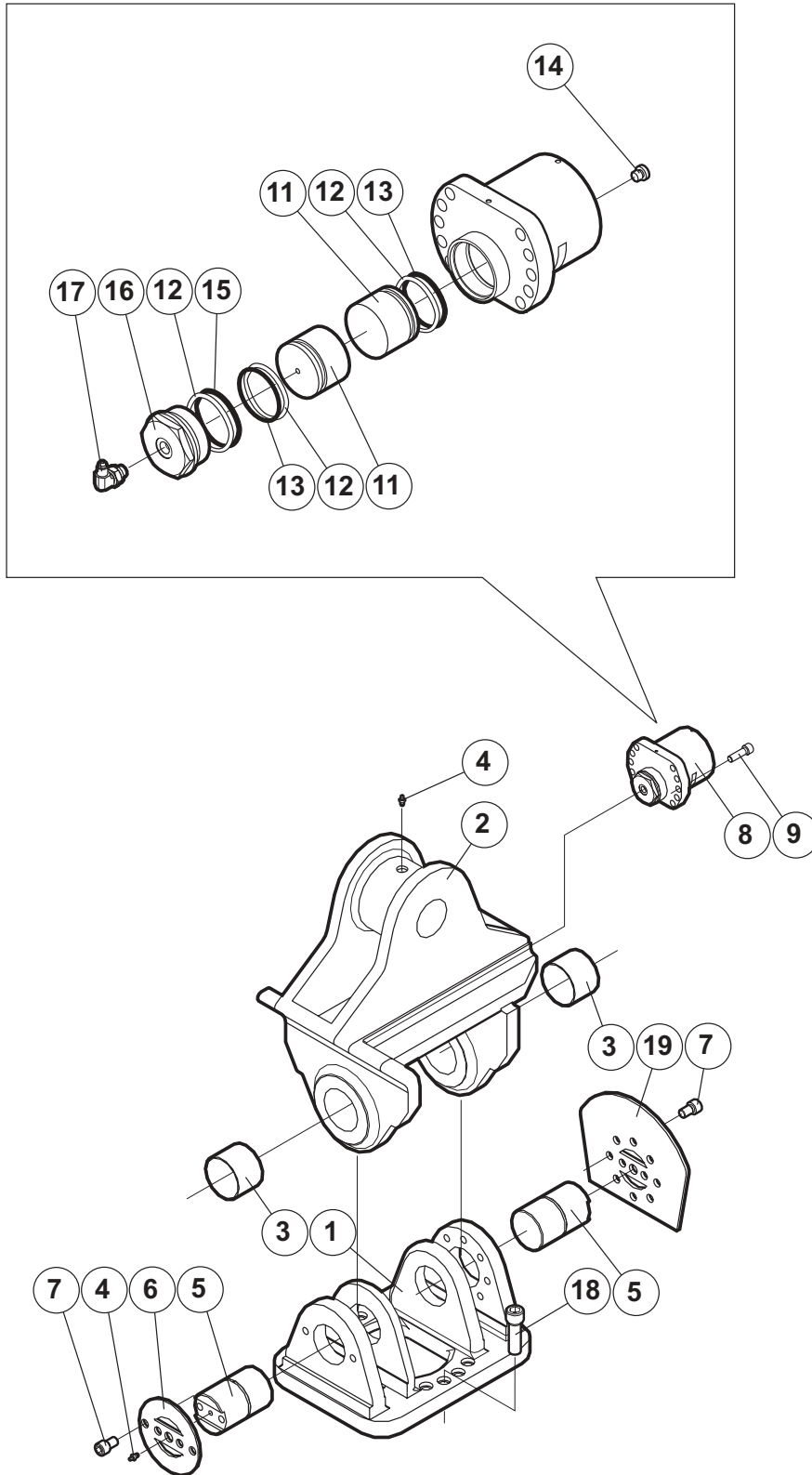
Item #	Qty	Part No.	Description	Notes
36	1	0130 107	Nipple	10F40MX
37	1	0669 717	Hose assy.	FJIC #12 90° - FJIC #12 str. cut length = 30" (760 mm)
38	2	0130 303	Nipple	12F40MX
39	2	0676 866	Hose assy.	FJIC #12 str.- FJIC #12 str. cut length = 35 1/2" (890mm)
40	1	0676 689	Hose assy.	FJIC #10 str.- FJIC #10 str. cut length = 28" (700mm)
41	1	0130 357	Elbow Nipple	12C40MX
42	2	0104 561	Hex hd. Screw	M10 x 25, 8.8
43	1	0699 098	Hose assy.	FJIC #8 str.- FJIC #8 90° cut length = 70" (1800 mm)
44	8	0104 360	Socket hd. Cap Screw	ISO 4762 - M6x16, 12.9
45	1	0136 075	Accumulator	SBO 210-0.75E1/663U-210 AK 001
46	1	0692 005	Acc. Guard	incl. item #47
47	1	0130 327	Plug	VSCH M28 X 1.5
48	3	0104 367	Socket hd. Cap Screw	ISO 4762 - M10 x 35, 12.9
49	3	0106 075	Nut	M10

### SuperFell 851 - Tilt Frame



Item #	Qty	Part No.	Description	Notes
1	1	0699 091	Rotator Frame	incl. item # 4-13
2	1	0172 584	Rotator	IR22 HX2
3	2	0150 009	Hydraulic Cylinder	
4	4	0108 028	Split Pin	
5	2	0676 912	Shaft	
6	2	0676 913	Support Roller	
7	2	0104 008	Socket hd. Cap Screw	M12 x 30, 12.9
8	2	0676 604	Washer	
9	2	0114 004	Grease Fitting	M6 x 1
10	2	0676 914	Pin	
11	2	0632 601	Locking Screw	
12	2	0676 712	Pin	
13	2	0108 101	Cyl. Pin	20 x 40
14	4	0130 360	Nipple	MORB #12 - MJIC #12
15	2	0130 361	Elbow Nipple	MJIC #12 - FJIC #12
16	12	0104 891	Socket hd. Cap Screw	M24 x 75, 12.9
17	2	0676 802	Hydraulic Hose assy.	FJIC #12 str. - FJIC #12 str. cut length = 80" (2000 mm)
18	2	0676 866	Hydraulic Hose assy.	FJIC #12 str. - FJIC #12 str. cut length = 35" (890 mm)

### SuperFell 851 - Link



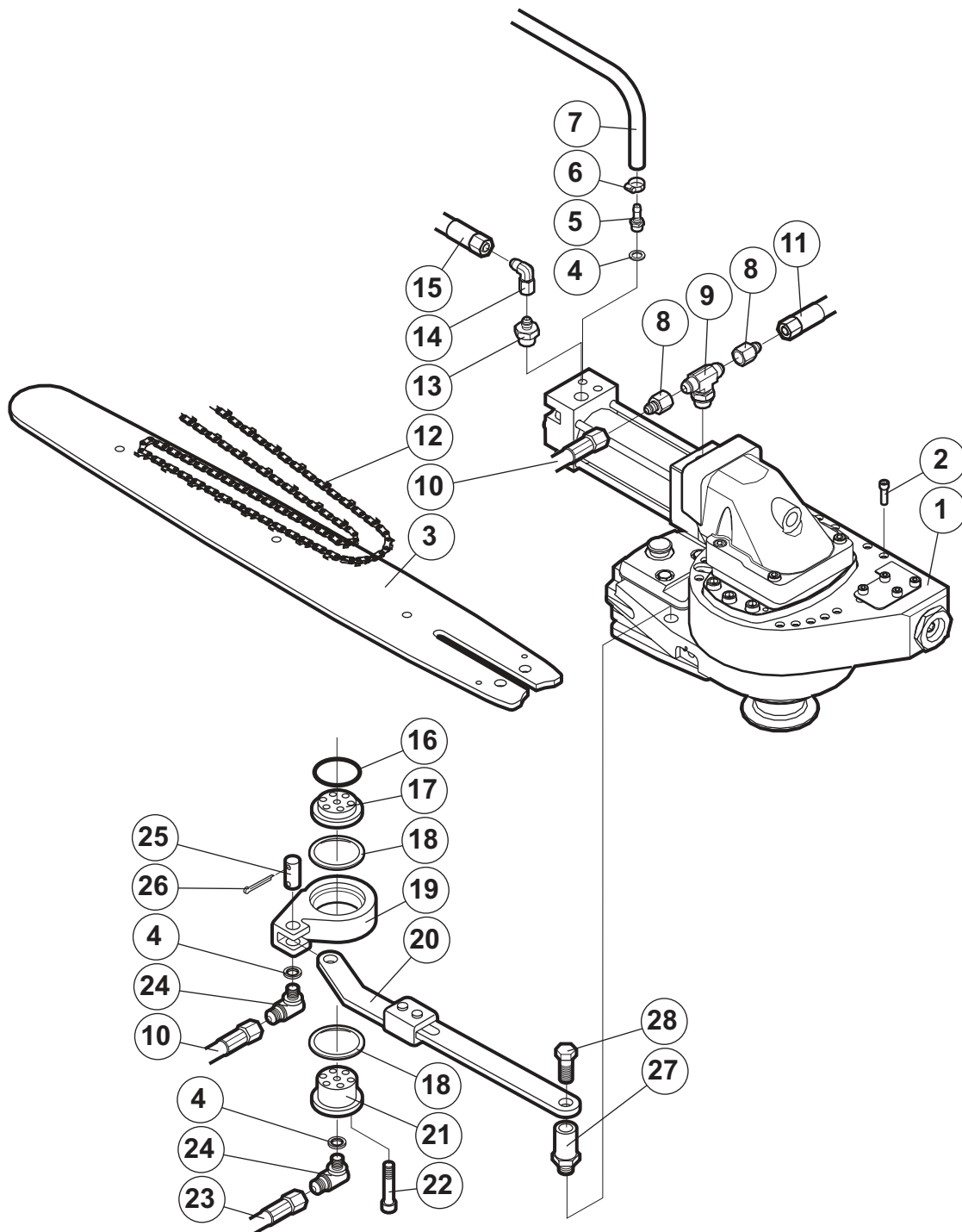
Item #	Qty	Part No.	Description	Notes
-	-	0698 390	Link	
1	1	0698 355	Lower Link	
2	1	0698 370	Upper Link	incl. item # 3,4
3	2	0124 066	Plain Bearing	
4	3	0114 061	Grease Fitting	NPTF 1/8"
5	2	0698 157	Pin	
6	1	0698 158	Washer	
7	14	0104 491	Socket hd. Cap Screw	ISO 4762 - M16 x 25, 12.9
8	1	0698 380	Brake Housing	incl. item # 10-16
9	10	0104 475	Socket hd. Cap Screw	ISO 4762 - M12 x 40, 12.9
11	2	0698 181	Piston	
12	3	0118 521	Backup ring	50x55/1.3
13	2	0118 036	O-ring	49.5 x 3
14	1	0130 112	Plug	BSPP 1/8"
15	1	0118 123	O-ring	53 x 3
16	1	0698 382	Screw	
17	1	0130 362	Elbow Nipple	MORB #4 - MJIC #4
18	16	0104 121	Socket hd. Cap Screw	ISO 4762 - M16 x 60, 12.9
19	1	0698 177	Brake Disc	

**SuperFell 851 - Saw Box with Grapple**



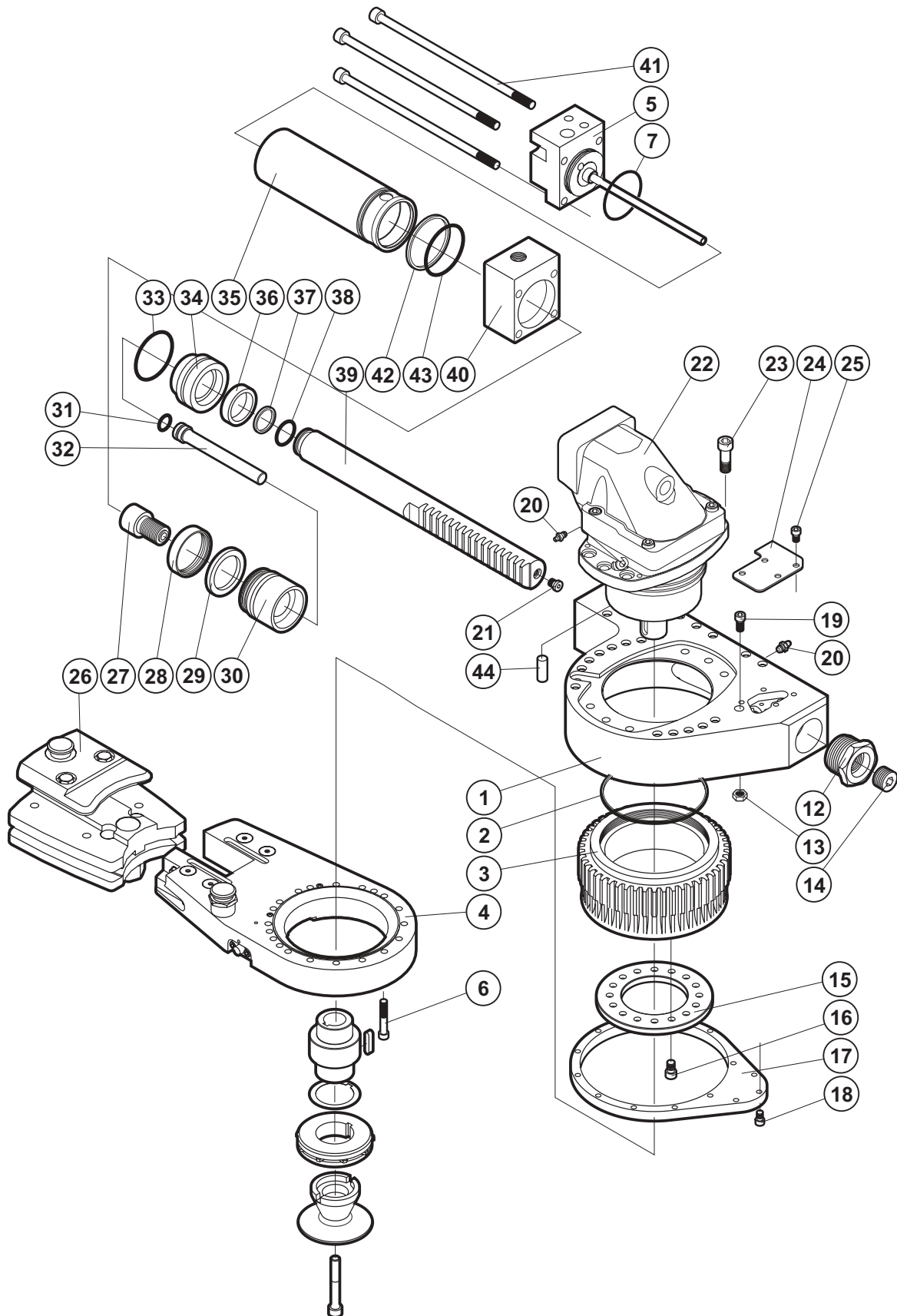
Item #	Qty	Part No.	Description	Notes
1	1	0676 502	Grapple Arm, Female	
2	1	0676 501	Grapple Arm, Male	
3	1	0676 520	Push Rod	
4	1	0672 139	Pin	
5	1	0676 100	Pin	
6	1	0676 597	Pin	
7	1	0150 008	Hydraulic Cylinder Assy.	Grapple function
8	2	0124 044	Bushing	
9	2	0124 009	Bushing	
10	1	0699 035	Saw Box	incl. item # 12,15,35-38
11	1	0662 296	Air Tank	
12	1	0699 032	Cover Plate	
13	2	0678 132	Spacer	
14	2	0104 460	Socket hd. Cap Screw	M10 x 40, 12.9
15	3	0104 474	Socket hd. Cap Screw	M12 x 35, 12.9
16	6	0104 008	Socket hd. Cap Screw	M12 x 30, 8.8
17	1	0676 694	Hydraulic Hose assy.	FJIC #6 str.- FJIC #6 str. cut length = 55 1/2" (1390mm)
18	3	0632 601	Locking Screw	
19	1	0669 118	Air Nipple	
20	1	0676 596	Washer	
21	1	0130 356	Elbow Nipple	MBSP #8 - FJIC #6
22	4	0106 579	Bonded Seal	BSP #4
23	-	-	-	-
24	1	0106 577	Bonded Seal	BSP #8
25	6	0114 023	Grease Fitting	M10 x 1
26	4	0116 017	Dust Seal	
27	2	0130 322	Nipple	MBSP #4 - MJIC #6
28	6	0118 039	O-ring	90 x 5
29	1	0703 839	Pressure Regulating Valve Kit	
30	1	0699 021	Hydraulic Hose Assy.	FJIC #6 90° - FJIC #6 90° cut length = 11 1/4" (285 mm)
31	1	0130 049	Elbow Nipple	MBSP #4 - MJIC #6
32	1	0669 727	Hydraulic Hose Assy.	FJIC #6 str.- FJIC #6 90° cut length = 15" (375 mm)
33	1	0699 020	Hydraulic Hose Assy.	FJIC #6 90° - FJIC #6 90° cut length = 14 1/4" (360 mm)
34	2	0104 428	Socket hd. Cap Screw	M6 x 40, 12.9
35	1	0699 052	Mechanical Stop	
36	2	0104 496	Socket hd. Cap Screw	M16 x 50, 12.9
37	1	0699 077	Cover	
38	4	0104 470	Socket hd. Cap Screw	M12 x 16, 12.9
39	4	0104 364	Hex hd. Screw	M12 x 45, 8.8

**SuperFell 851 - Saw Unit / Saw Bar Limiter**



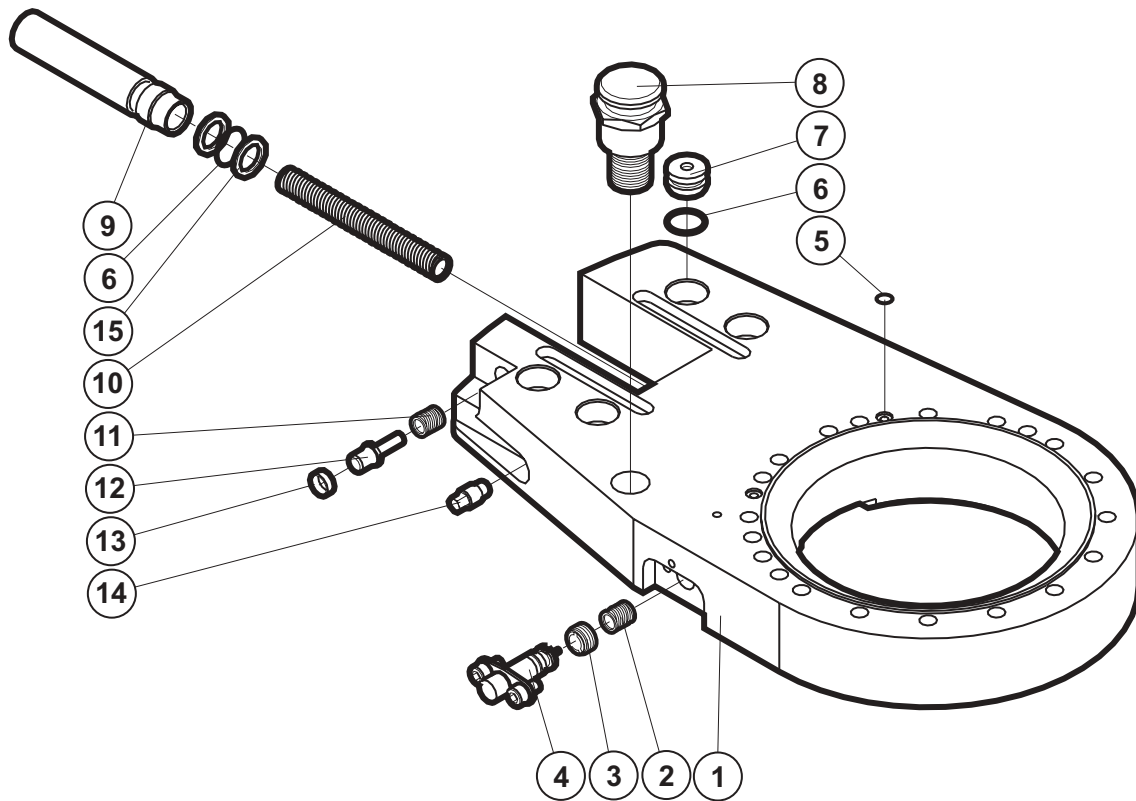
Item #	Qty	Part No.	Description	Notes
1	1	0696 502	SuperCut 300	
2	19	0104 476	Socket hd. Cap Screw	M12 x 45, 12.9
3	1	0162 042	Saw Bar	113 cm ( 45" )
4	3	0106 579	Bonded Seal	BSP #4
5	1	0131 016	Male Connector	
6	1	0135 014	Hose Clamp	
7	1	0699 054	Hose	9.5 x 2.8mm L=54" (1350mm)
8	2	0130 359	Nipple	MJIC #6 - FJIC #12
9	1	0130 358	T-Nipple	MBSP #8 - MJIC #12
10	1	0699 087	Hydraulic Hose assy.	FJIC #6 str. - 6mm pipe str. cut length = 19" (485 mm)
11	1	0676 700	Hydraulic Hose assy.	FJIC #6 str.- FJIC #6 str. cut length = 11 1/2" (290 mm)
12	1	0110 050	Saw Chain	67 dl
13	1	0130 035	Nipple	MBSP #8 - MJIC #6
14	1	0130 050	Elbow Nipple	FJIC #6 - MJIC #6
15	1	0676 694	Hydraulic Hose assy.	FJIC #6 str. - FJIC #6 str. cut length = 55" (1390 mm)
16	1	0118 039	O-ring	90 x 5
17	1	0676 670	Washer	
18	2	0120 010	Teflon Seal	
19	1	0699 019	Bar Limiter Housing	
20	1	0696 056	Rod	
21	1	0699 012	Bar Limiter Shaft	
22	6	0104 478	Socket hd. Cap Screw	M12 x 55, 12.9
23	1	0699 086	Hydraulic Hose assy.	FJIC #6 90° - 6mm pipe str. cut length = 23" (580 mm)
24	2	0130 296	Swivel	
25	1	0662 340	Pin	
26	2	0108 023	Split Pin	
27	1	0696 058	Shaft	
28	1	0676 676	Screw	

**Saw Unit Assy.**



Item #	Qty	Part No.	Description	Notes
1	1	0696 104	Saw Housing	
2	3	0120 057	Swivel Seal Ring	1)
3	1	0126 054	Bearing	
4	1	0696 055	Tension Device	
5	1	-	Lubrication Oil Pump	refer to lubrication system for P/N
6a	18	0104 397	Socket hd. Cap Screw	M8 x 40 (12.9)
6b	2	0104 334	Socket hd. Cap Screw	M8 x 35 - DIN 7984 ( 8.8)
7	1	-	O-ring	refer to lubrication system for P/N <sup>1)</sup>
12	1	0696 096	Stop Plug	
13	1	0106 098	Lock Nut	M6
14	1	0130 154	Plug	VSTI 3/4"
15	1	0696 007	Washer	
16	16	0104 438	Socket hd. Cap Screw	M8 x 14 (12.9)
17	1	0696 196	Washer	
18	14	0104 759	Socket hd. Cap Screw	M6 x 16 (12.9)
19	1	0104 179	Socket hd. Cap Screw	M6 x 12 - DIN 7984 ( 8.8)
20	2	0114 023	Grease Fitting	M10 x 1
21	1	0130 112	Plug	VSTI 1/8"
22	1	0696 060	Saw Motor	F12-40
23	6	0104 472	Socket hd. Cap Screw	M12 x 25 (12.9)
24	1	0696 062	Cover	
25	4	0104 436	Socket hd. Cap Screw	M8 x 10 (12.9)
26	1	0696 003	Bar Holder Assy.	
27	1	-	Gland Screw	refer to lubrication system for P/N
28	1	0118 508	Bearing Ring	1)
29	1	0120 058	Piston Seal	1)
30	1	0696 169	Piston	
31	1	-	O-ring	refer to lubrication system for P/N <sup>1)</sup>
32	1	-	Bushing	refer to lubrication system for P/N
33	1	0118 099	O-ring	59,5 x 3,0 <sup>1)</sup>
34	1	0696 103	Gland	
35	1	0696 100	Barrel	
36	1	0120 049	Gland Seal	40/50 x 11 <sup>1)</sup>
37	1	0118 540	Backup Ring	30/35 x 1.3 <sup>1)</sup>
38	1	0118 003	O-ring	29.2 x 3.0 <sup>1)</sup>
39	1	0696 009	Piston Rod	
40	1	0696 098	Connection Flange	
41	4	0104 353	Socket hd. Cap Screw	M10 x 280 (12.9)
42	1	0118 515	Backup Ring	65/70 x 1.3 <sup>1)</sup>
43	1	0118 117	O-ring	65,0 x 3,0
44	2	0108 027	Dowel Pin	CPK 8x20
1)	1	0121 074	Seal Kit	

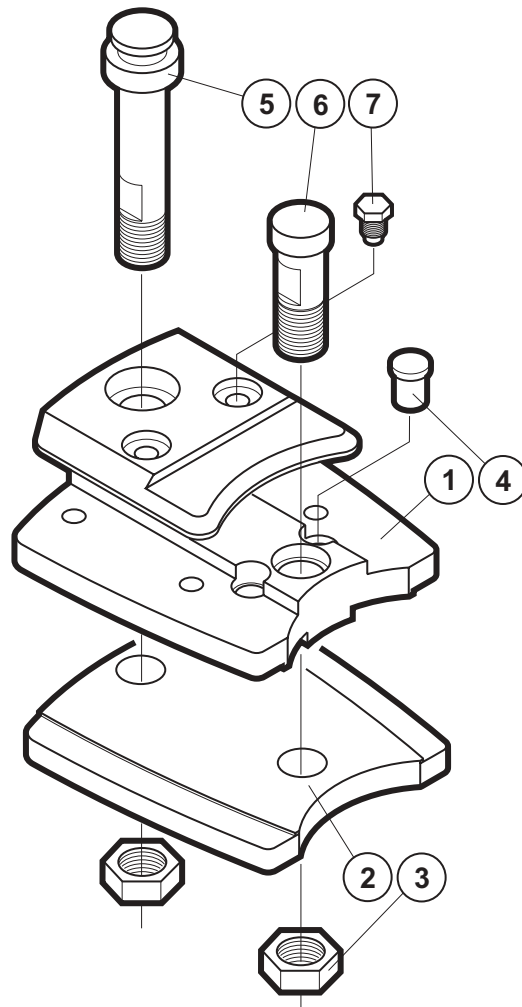
**Tension Device Assy.**



Item #	Qty	Part No.	Description	Notes
1	1	0696 055	Tension Device Assy.	incl. item #2 - 14
2	1	0114 553	Compression Spring	
3	1	0136 026	Check Valve	RE 0
4	1	0690 185	Pilot Valve	
5	2	0118 070	O-ring	4.76 x 1.78 <sup>1)</sup>
6	5	0118 072	O-ring	15.3 x 2.4 <sup>1)</sup>
7	4	0696 022	Piston	
8	1	0696 079	Bolt	
9	1	0696 053	Piston	
10	1	0114 555	Compression Spring	
11	1	0114 529	Compression Spring	
12	1	0704 028	Locking Pin	
13	1	0685 028	Sleeve	
14	1	0690 003	Bleeder Screw	
15	2	0118 511	Backup Ring	16/20 x 1.3 <sup>1)</sup>

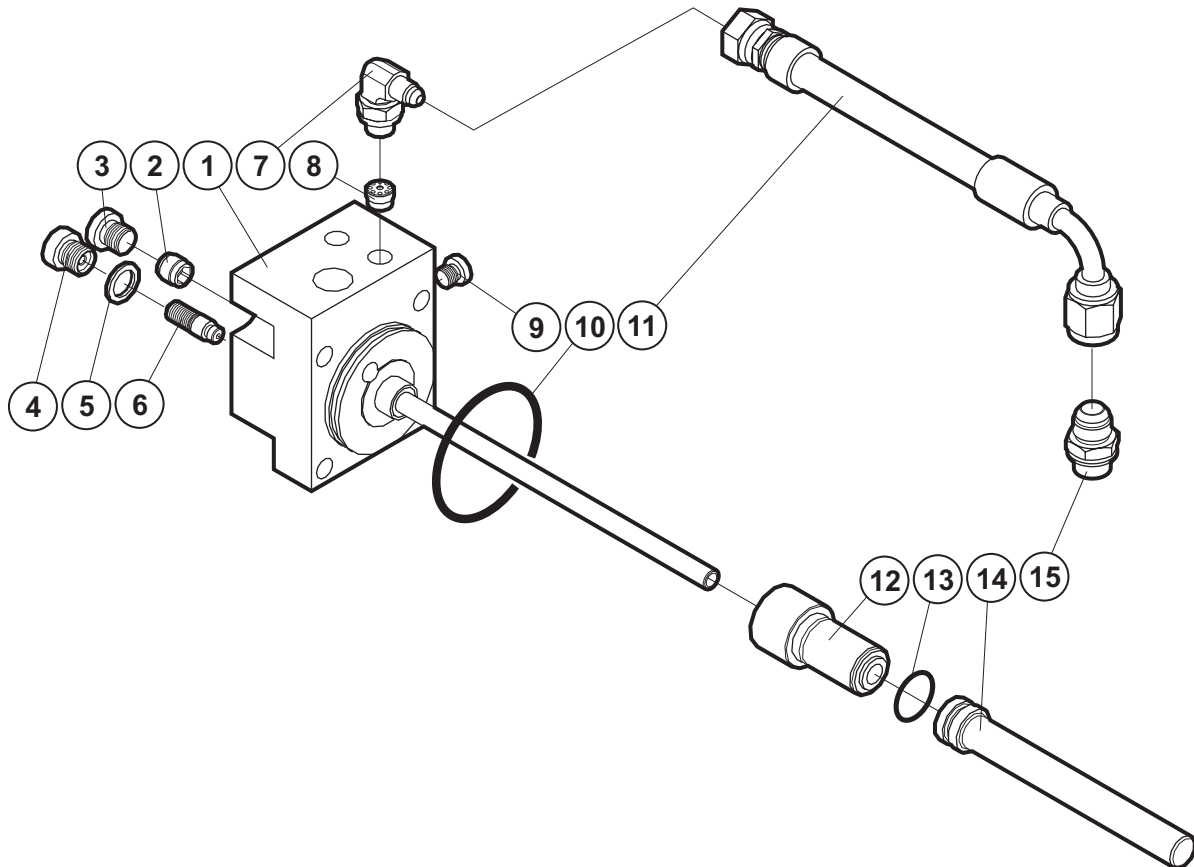
<sup>1)</sup> Kit, see Saw Unit Assy.

**Bar Holder Assy.**



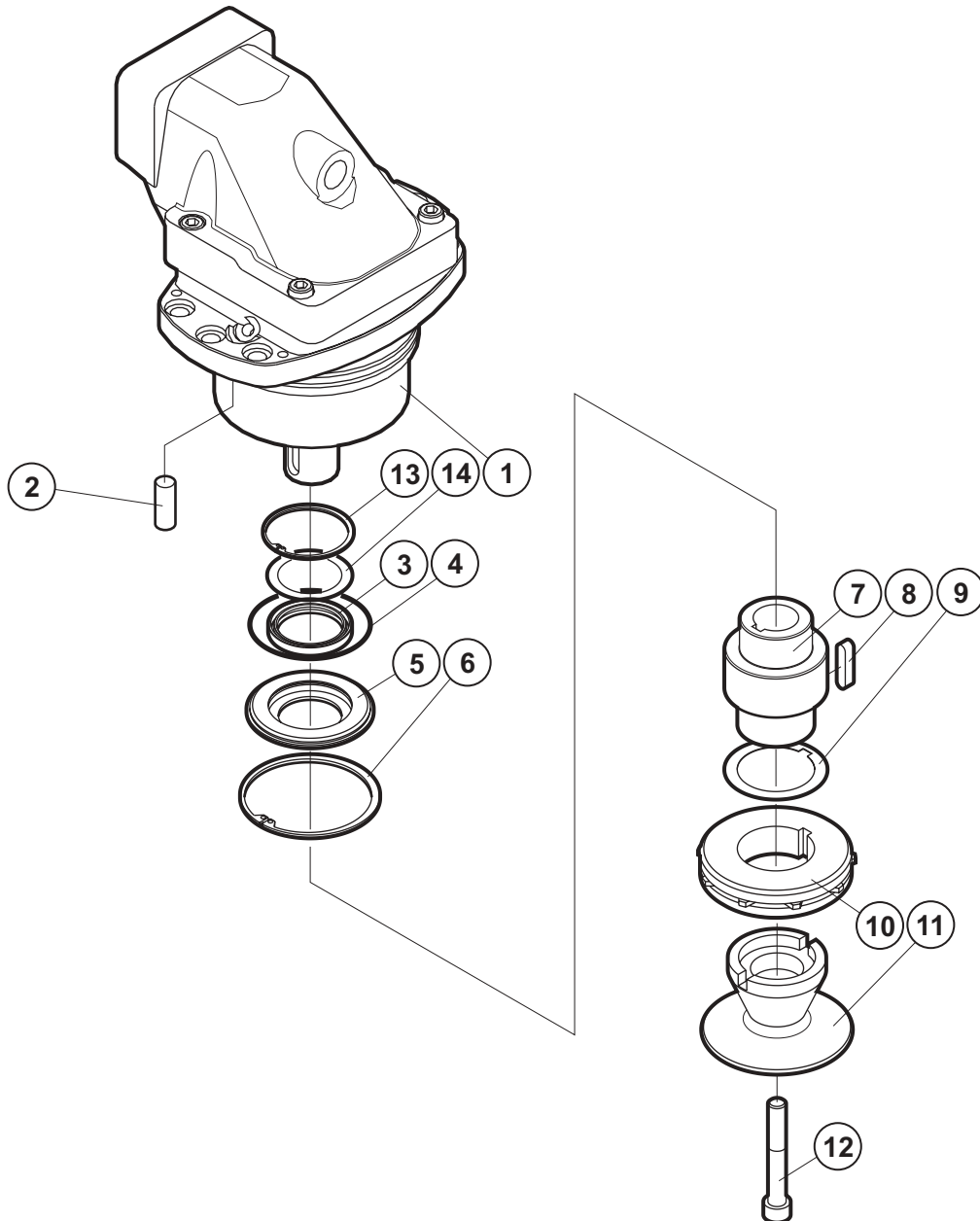
<b>Item #</b>	<b>Qty</b>	<b>Part No.</b>	<b>Description</b>	<b>Notes</b>
-	-	0696 003	Bar Holder Assy.	incl item #1 - 7
1	1	0696 047	Holder	
2	1	0696 051	Plate	
3	2	0106 146	Locking Nut	M24 - DIN 980
4	2	0696 054	Guide Pin	
5	1	0696 078	Bolt	
6	1	0696 046	Bolt	
7	2	0688 003	Guide Screw	

## Lubrication System



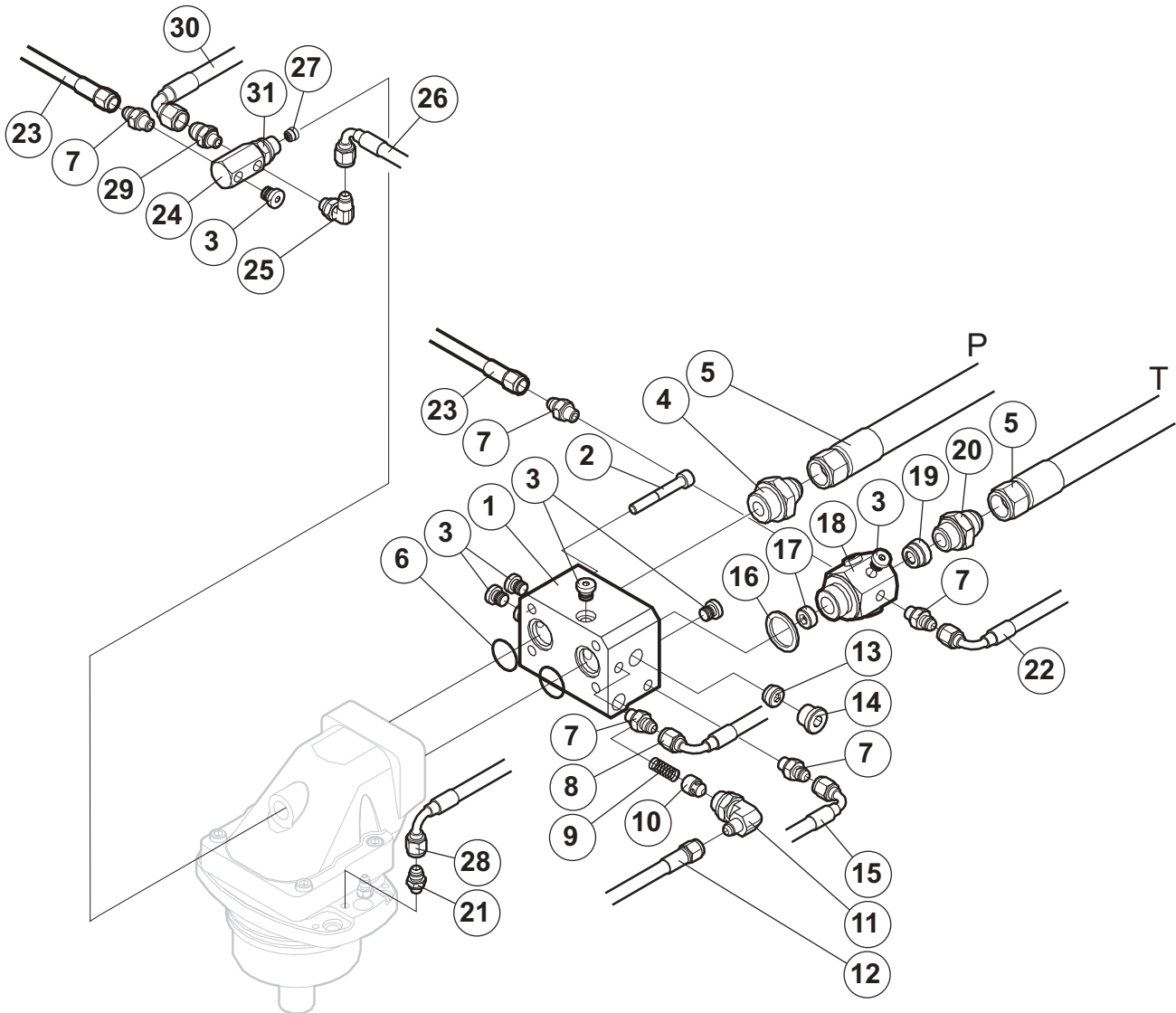
Item #	Qty	Part No.	Description	Notes
1a	1	0696 099	Lubrication Oil Pump 10ml	incl. item # 1-6, 8-10
1b	1	0696 028	Lubrication Oil Pump 25ml	incl. item # 1-6, 8-10
2	1	0136 036	Check Valve	RC1
3	1	0130 178	Plug	VSTI 1/4"
4	1	0704 130	Plug	
5	1	0106 576	Bonded Seal	M14
6	1	0136 027	Pressure Relief Valve	
7	1	0130 105	Elbow Nipple	MBSP #4 - MJIC #4
8	1	0136 798	Check Valve	RK1
9	1	0130 112	Plug	VSTI 1/8"
10	1	0118 129	O-ring	57.0 x 3.0 <sup>1)</sup>
11	1	0696 012	Hose Assy.	#04 FJIC str. - #04 FJIC 90° cut length =17" (430 mm)
12a	1	0696 066	Gland Screw 10ml	
12b	1	0696 031	Gland Screw 25ml	
13	1	0118 133	O-ring	17.5 x 3.0 <sup>1)</sup> only required for 10ml pump
14	1	0696 186	Bushing 10ml	only required for 10ml pump
15	1	0130 339	Nipple	MBSP #02 - MJIC #04
				1) Seal Kit, refer to Saw Unit Assy.

**Saw Motor Assy. - F12-40**



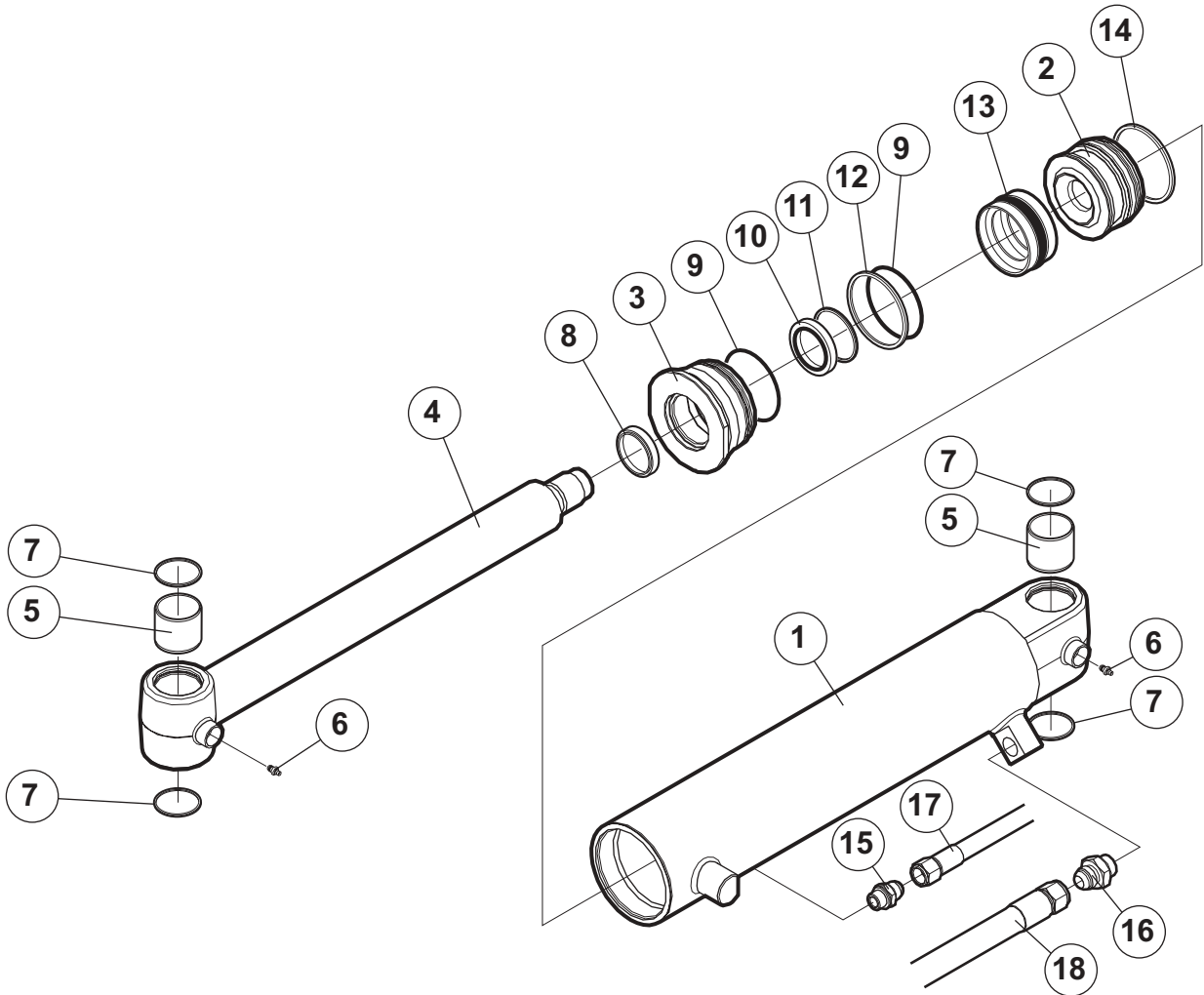
Item #	Qty	Part No.	Description	Notes
1	1	0696 060	Saw Motor	F12-40
2	2	0108 027	Dowel Pin	8 x 50
3	1	0120 516	Seal Ring	ATDSL 45 x 65 x 6
4	1	0118 110	O-ring	74,5 x 3,0
5	1	0136 525	Seal Carrier	
6	1	0112 026	Retaining Ring	SGH 100
7	1	0696 193	Spacer	
8	1	0108 505	Flat Key	8x7x35
9	1	0662 783	Shim	0.5mm
10a	1	0109 028	Rim Sprocket	8 tooth count
10b	1	0109 029	Rim Sprocket	9 tooth count
11	1	0696 192	Chain Catcher	
12	1	0104 483	Socket hd. Cap Screw	M12 x 80, 12.9
13	1	0112 007	Retaining Ring	SGH 065
14	1	0136 540	Spacer	

**SuperFell 851 - Saw Motor Manifold**



Item #	Qty	Part No.	Description	Notes
1	1	0696 036	Manifold	
2	4	0104 465	Socket hd. Cap Screw	M10 x 70, 12.9
3	10	0130 178	Plug	BSP #4
4	1	0130 332	Nipple	MBSP #16 - MJIC #12
5	2	0676 802	Hydraulic Hose assy.	FJIC #12 str. - FJIC #12 str. cut length = 80" (2000 mm)
6	2	0118 003	O-ring	29.2 x 3
7	5	0130 322	Nipple	MBSP #4 - MJIC #6
8	1	0699 086	Hydraulic Hose assy.	FJIC #6 90° - 6mm pipe str. cut length = 23" (580 mm)
9	1	0114 535	Compression Spring	
10	1	0676 108	Valve	
11	1	0130 356	Elbow Nipple	MBSP #8 - MJIC #6
12	1	0676 700	Hydraulic Hose assy.	FJIC #6 str.- FJIC #6 str. cut length = 11 1/2" (290 mm)
13	1	0136 022	Check Valve	
14	1	0130 167	Plug	BSP #8
15	1	0699 020	Hydraulic Hose Assy.	FJIC #6 90° - FJIC #6 90° cut length = 14 1/4" (360 mm)
16	1	0106 582	Bonded Seal	BSP #16
17	1	0699 022	Restrictor Plug	
18	1	0699 082	Housing	
19	1	0136 037	Check Valve	
20	1	0130 303	Nipple	MBSP #12 - MJIC #12
21	1	0130 331	Nipple	MBSP #2 - MJIC #6
22	1	0676 807	Hydraulic Hose assy.	FJIC #6 str. - FJIC #6 90° cut length = 53" (1320mm)
23	1	0676 978	Hydraulic Hose assy.	FJIC #6 str.- FJIC #6 str. cut length = 56" (1420 mm)
24	1	0699 089	Nipple	
25	2	0130 049	Elbow Nipple	MBSP #4 - MJIC #6
26	1	0699 021	Hydraulic Hose Assy.	FJIC #6 90° - FJIC #6 90° cut length = 11 1/4" (285 mm)
27	1	0136 796	Check Valve	
28	1	0669 727	Hydraulic Hose Assy.	FJIC #6 str.- FJIC #6 90° cut length = 15" (375 mm)
29	1	0130 183	Nipple	MBSP #4 - MJIC #8
30	1	0699 098	Hydraulic Hose Assy.	FJIC #8 str.- FJIC #8 90° cut length = 70" (1800 mm)
31	1	0106 016	Nut	M18x1.5

**SuperFell 851 - Grapple Cylinder Assy.**

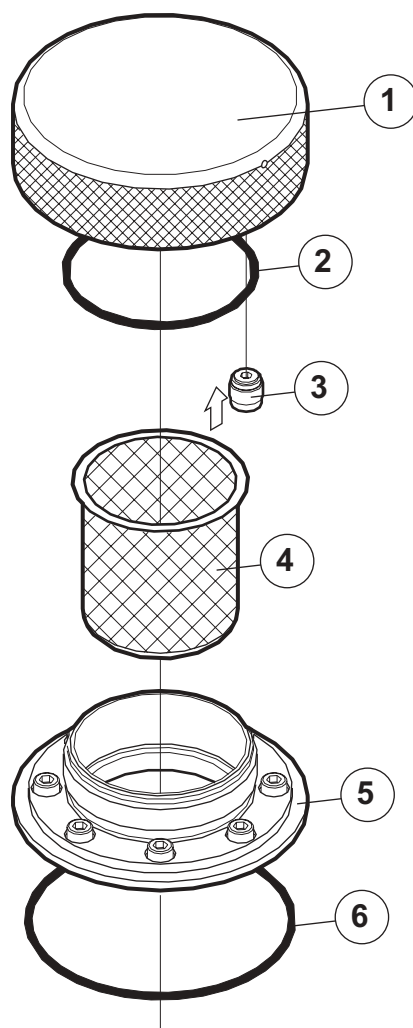


Item #	Qty	Part No.	Description	Notes
-	-	0150 008	Hydraulic Cylinder Assy.	incl. item # 1-14
1	1	0150 521	Barrel	incl. item # 5-7
2	1	0150 523	Piston	
3	1	0150 524	Gland	
4	1	0150 522	Piston Rod	incl. item # 5-7
5	2	0124 089	Bushing	
6	4	0114 023	Grease Fitting	M10 x 1
7	4	0116 017	Dust Seal	DK 50 - 60 - 2,15 - 6
8	1	-	Dust Seal	Kit
9	2	-	O-ring	Kit
10	1	-	Seal	Kit
11	1	-	Retainer Ring	Kit
12	1	-	Backup Ring	Kit
13	1	-	Seal	Kit
14	1	0150 530	Piston Ring	
15	1	0130 107	Nipple	10F40MX
16	1	0130 303	Nipple	12F40MX
17	1	0676 689	Hose assy.	FJIC #10 str.- FJIC #10 str. cut length = 28" (700mm)
18	1	0669 717	Hose assy.	FJIC #12 90° - FJIC #12 str. cut length = 30" (760 mm)
		0121 079	Seal Kit	item # 8-13



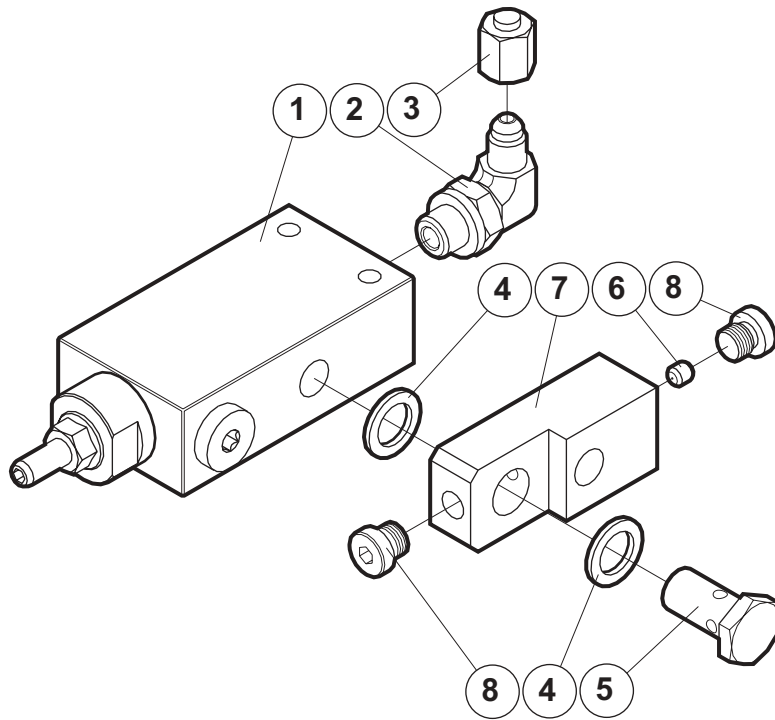
Item #	Qty	Part No.	Description	Notes
-	-	0150 009	Hydraulic Cylinder Assy.	incl. item # 1-9
1	1	0676 627	Barrel	
2	1	0676 658	Piston	
3	1	0676 659	Gland	
4	1	0676 626	Piston Rod	
5	3	0130 123	Plug	BSPP #6
6	2	0124 108	Bushing	
7	4	0116 024	Dust Seal	
8	2	0114 004	Grease Fitting	M6 x 1
9	1	0138 511	Filter Plug	
10	1	0130 047	Elbow Nipple	MJIC #8 - MBSP #6
11	2	0676 691	Hydraulic Hose assy.	FJIC #8 str.- FJIC #8 90° cut length = 24" (600mm)
-	-	0121 021	Seal Kit	

**Filler Cap 0699045**



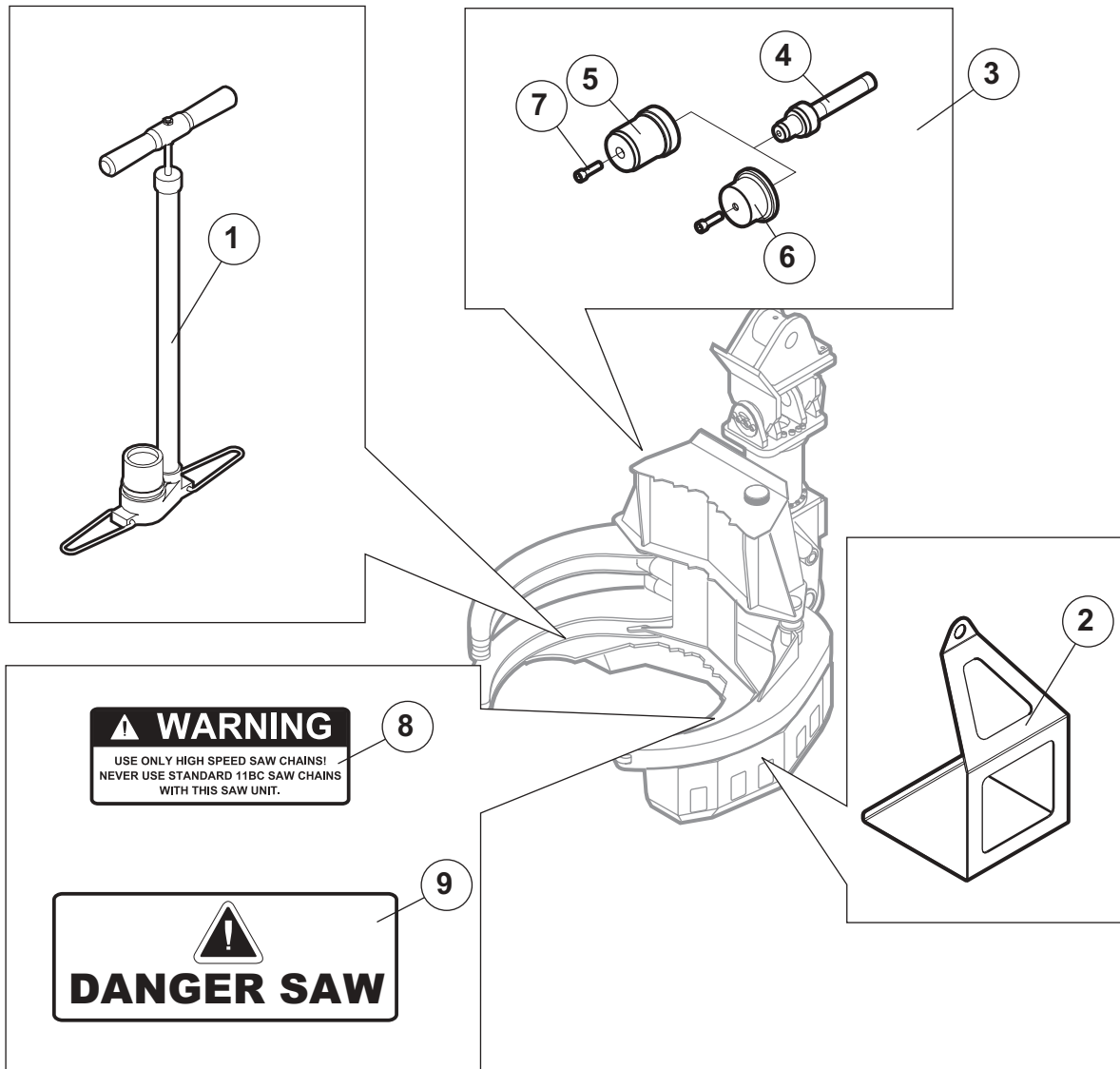
Item #	Qty	Part No.	Description	Notes
-	-	0699 045	Filler Cap assy.	incl. Item # 1- 6
1	1	0699 046	Filler Cap	incl. item # 2
2	1	0118 098	O-ring	69.5 x 3
3	1	0136 036	Check Valve	
4	1	0699 048	Strainer	
5	1	0699 047	Refilling Pipe	
6	1	0118 074	O-ring	97 x 3

## Pressure Regulating Valve Kit



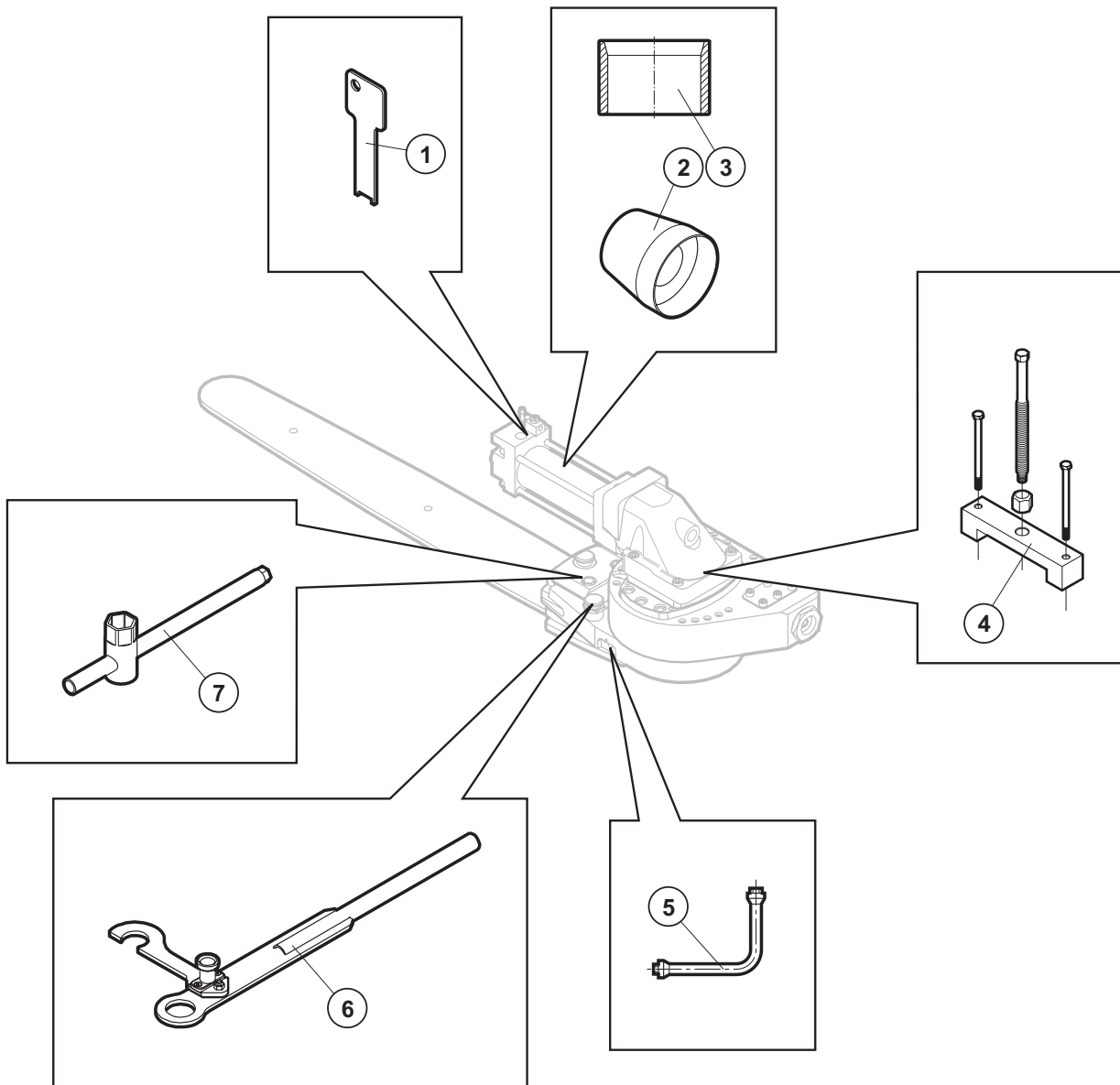
Item #	Qty	Part No.	Description	Notes
-	-	0703 839	Pressure Regulating Valve Kit	
1	1	0136 007	Pressure Regulating Valve	
2	1	0130 105	Elbow Nipple	MBSP #04 - MJIC #04
3	1	0130 100	Plug	FJIC #04
4	2	0106 579	Bonded Seal	
5	1	0130 193	Banjo Screw	BSP #04
6	1	0136 033	Restrictor Plug	Dia. 0.45mm - M6
7	1	0703 845	Manifold	
8	2	0130 112	Plug	MBSP #02

## SuperFell 851 - Tools and labels



Item #	Qty	Part No.	Description	Notes
1	1	0138 042	Air Pump	
2	1	0699 018	Lifting Device	
3	1	0699 101	Mandrel	incl. item 4-7
4	1	0699 106	Plunger #1	for bushings $\varnothing 30$ and $\varnothing 50$ mm
5	1	0699 103	Plunger #2	for bushings $\varnothing 70$ and $\varnothing 80$ mm
6	1	0699 105	Pluger #3	for bushings P/N 0124 009
7	1	0104 475	Socket hd. Cap Screw	M12 x 40
8	1	0146 059	Label	
9	1	0146 033	Label	

## Special Tools - SuperCut 300



<b>Item #</b>	<b>Qty</b>	<b>Part No.</b>	<b>Description</b>	<b>Notes</b>
1	1	0696 011	Check Valve Key	
2	1	0696 168	Assembly Tool	
3	1	0696 163	Compression Tool	
4	1	0696 167	Saw Motor Puller	
5	1	0690 149	Installation Tool	
6	1	0696 080	Retraction Tool	
7	1	0704 040	Combi Wrench	

# HULTDINS SuperFell™

---



0102-7000042



**Hultdin System AB**  
Skolgatan 12, SE-930 70 MALÅ, Sweden  
Tel +46 953 418 00, Fax +46 953 418 01  
E-mail: [sales@hultdins.se](mailto:sales@hultdins.se)

**Hultdins Inc.**  
P.O. Box 1205, 22 Morton Ave. East  
Brantford, Ontario, Canada N3T 5T3  
Tel (519) 754-0044, Fax (519) 754-1569  
E-mail: [info@hultdins.com](mailto:info@hultdins.com)