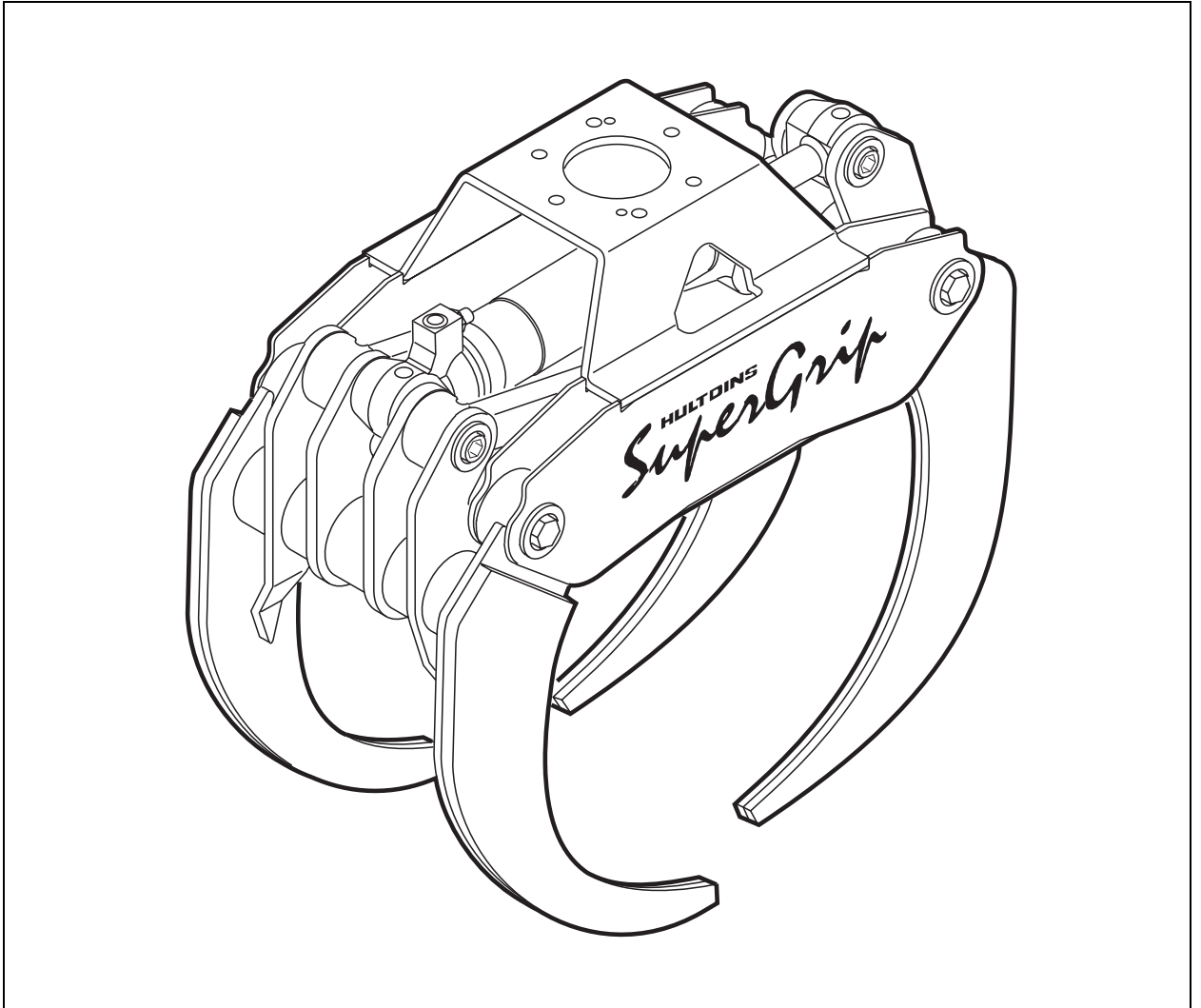


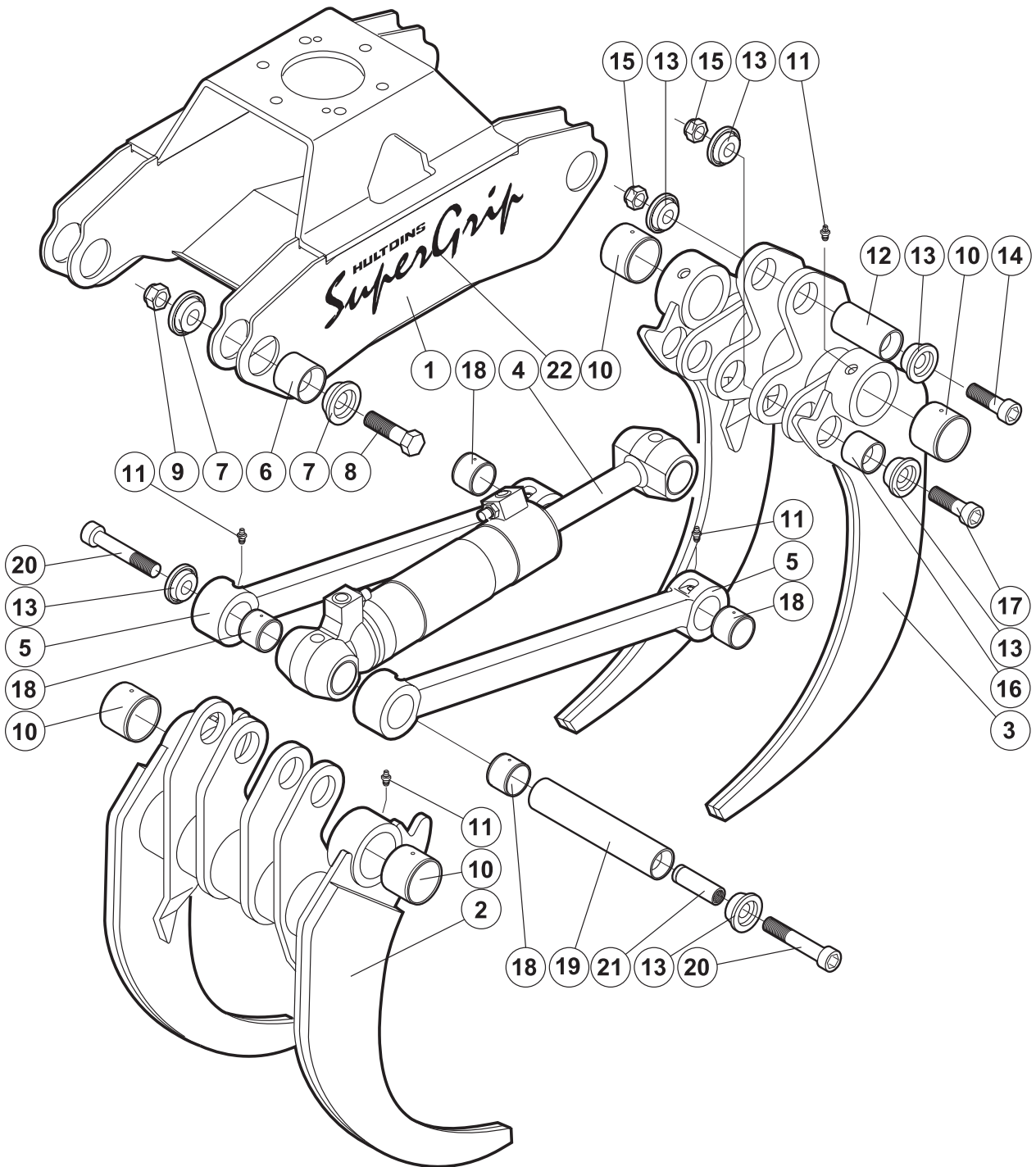
HULTDINS
SuperGrip™



SuperGrip 360R

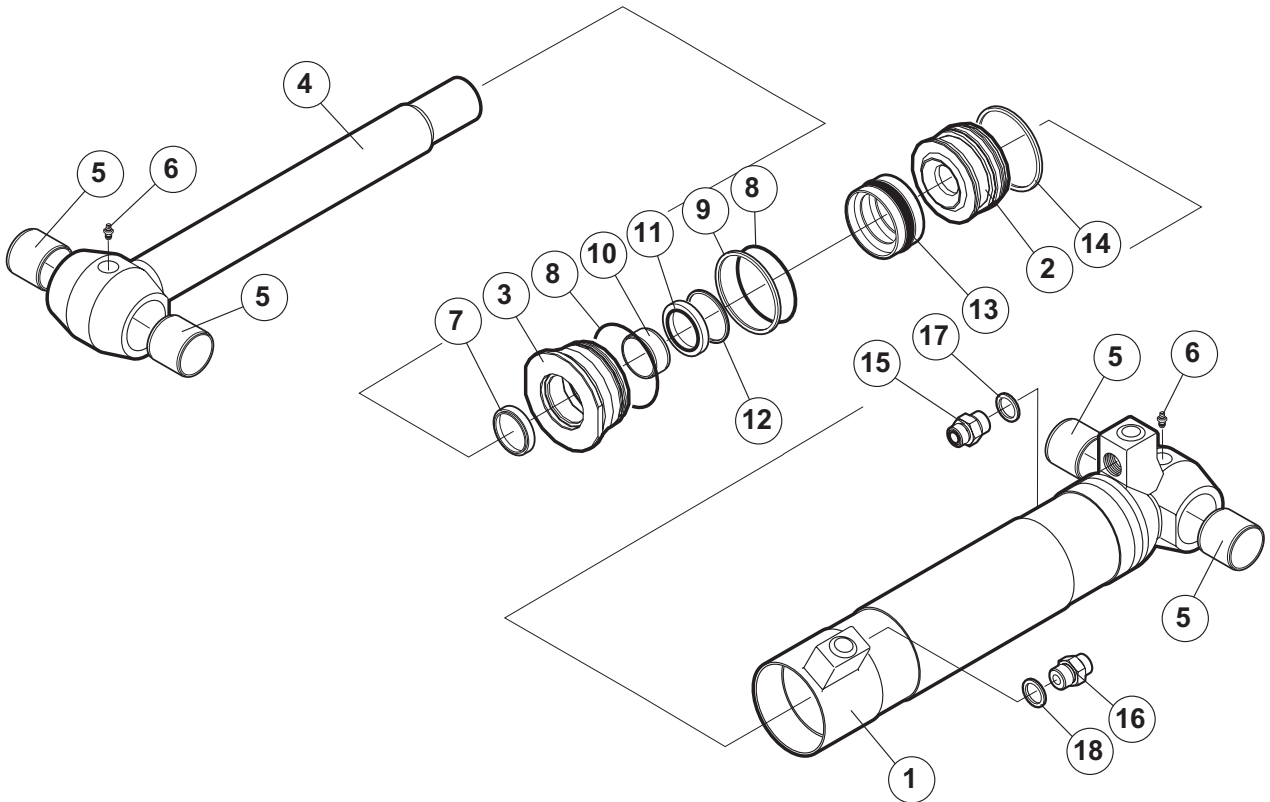
Parts Manual
S/N 027-4460 and up

Grapple assy. - SG 360R



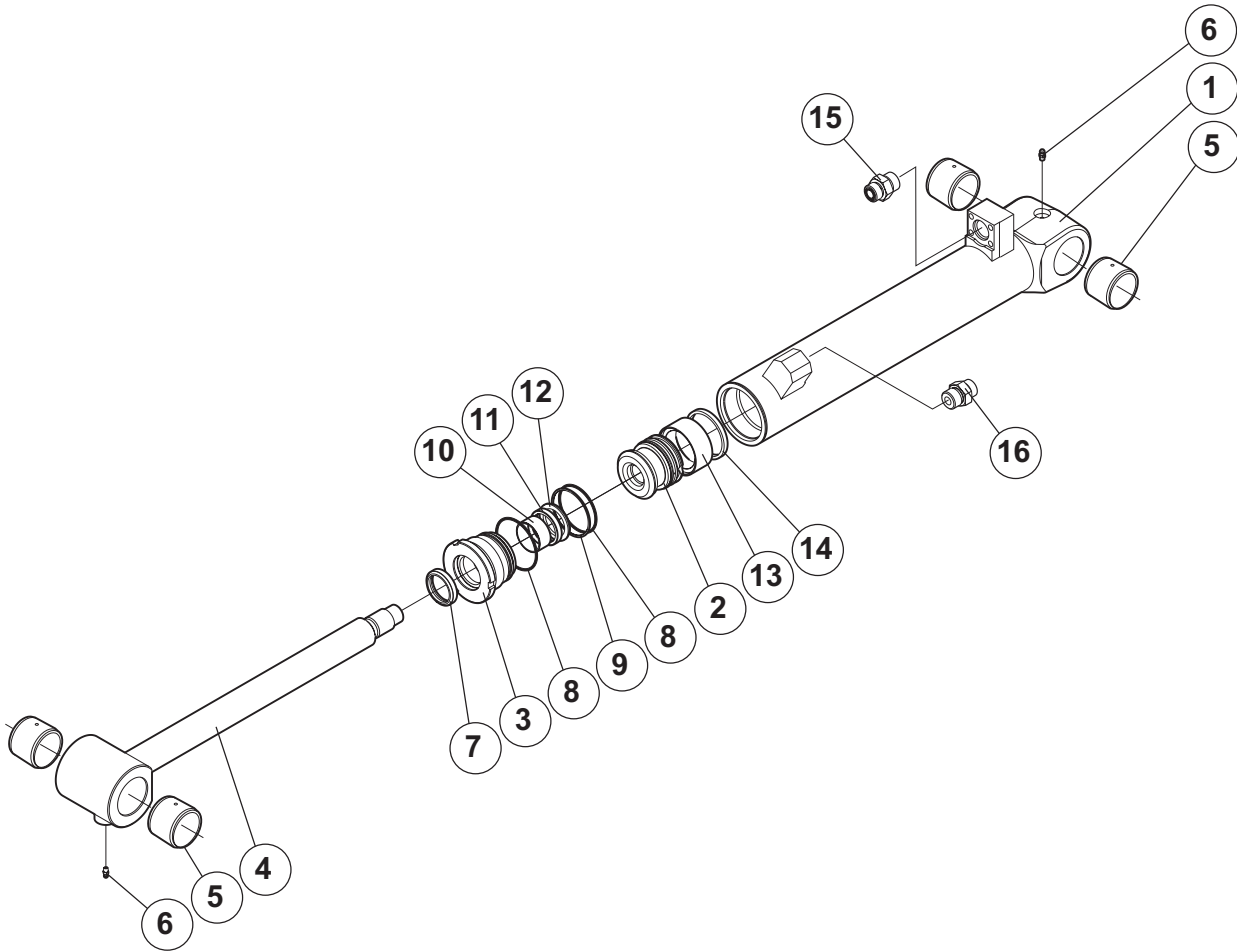
Item #	Qty	Part no.	Description	Notes
-	1	0680 400	SuperGrip 360R LP	item #1-4a, 5-21
-	1	0680 450	SuperGrip 360R HP	item #1-4b, 5-21
1	1	0680 001	Frame	
2	1	0680 402	Grapple arm, female	
3	1	0680 401	Grapple arm, male	
4a	1	0150 002	Cylinder assy.	ø90/56
4b	1	0150 016	Cylinder assy.	ø80/56
5	2	0680 030	Rod	
6	4	0680 009	Pin	
7	8	0680 021	Washer	
8	4	0104 616	Hex hd. screw	M6S 20x90 10.9
9	4	0106 032	Nut	M6M 20 GB10 FOS.
10	4	0680 071	Bushing	
11	8	0114 004	Grease nipple	M6 x 1
12	1	0680 077	Pin	
13	8	0680 054	Washer	
14	1	0104 132	Socket hd. cap screw	MC6S 16x130 12.9
15	3	0106 030	Nut	M6M 16 BG10 FOS.
16	2	0680 015	Pin	
17	2	0104 502	Socket hd. cap screw	MC6S 16x90 12.9
18	4	0680 072	Bushing	
19	1	0680 075	Pin	
20	1	0104 502	Socket hd. cap screw	MC6S 16x110 12.9
20	1	0104 132	Socket hd. cap screw	MC6S 16x160 12.9
21	1	0660 263	Nut	
22	-	-	-	

Cylinder 0150 002



Item #	Qty	Part No.	Description	Notes
1	1	0150 505	Barrel	incl. item #5,6
2	1	0150 506	Piston	
3	1	0150 507	Gland	
4	1	0150 508	Rod	incl. item #5,6
5	4	0680 073	Plain Bearing	
6	2	0114 004	Grease Fitting	M6
7	1	-	Dust Seal	(seal kit)
8	2	-	O-ring	(seal kit)
9	1	-	Backup Ring	(seal kit)
10	2	0150 525	Guide Ring	
11	1	-	Rod Seal	(seal kit)
12	1	-	Retainer Ring	(seal kit)
13	1	-	Piston Seal	(seal kit)
14	1	0150 528	Piston Ring	
15a	1	0130 061	Nipple	BSP #12 - JIC #10
15b	1	0130 064	Nipple	BSP #12 - BSP#12
16a	1	0130 107	Nipple	BSP #8 - JIC #10
16b	1	0130 008	Nipple	BSP #8 - BSP #8
17	1	0106 584	Bonded Seal	BSP #12 * only with item 15b *
18	1	0106 577	Bonded Seal	BSP #8 * only with item 16b *
-	-	0150 002	Cylinder assy.	incl. items # 1-14
-	-	0121 077	Seal kit	incl. items # 7-9, 11-13

Cylinder 0150 016



Item #	Qty	Part No.	Description	Notes
1	1	0150 555	Barrel	incl. item #5,6
2	1	0150 502	Piston	
3	1	0150 503	Gland	incl. item #10
4	1	0150 554	Rod	incl. item #5,6
5	4	0680 073	Plain Bearing	
6	2	0114 004	Grease Fitting	M6
7	1	-	Dust Seal	(seal kit)
8	2	-	O-ring	(seal kit)
9	1	-	Backup Ring	(seal kit)
10	1	-	Guide Ring	(seal kit)
11	1	-	Rod Seal	(seal kit)
12	1	-	Retainer Ring	(seal kit)
13	1	-	Piston Seal	(seal kit)
14	1	0150 527	Piston Ring	
15a	-	0130 365	Nipple	SAE #12 - JIC #10
15b	-	0130 377	Nipple	SAE #12 - BSP #12
16a	-	0130 365	Nipple	SAE #12 - JIC #10
16b	-	0130 377	Nipple	SAE #12 - BSP #12
-	-	0150 016	Cylinder assy.	ø80/56 incl. items # 1-14
-	-	0121 076	Seal kit	incl. items # 7-13

HULTDINS
SuperGrip™



0102-7000166



Hultdin System AB
Skolgatan 12, SE-930 70 MALÅ, Sweden
Tel +46 953 418 00, Fax +46 953 418 01
E-mail: sales@hultdins.se

Hultdins Inc.
P.O. Box 1205, 22 Morton Ave. East
Brantford, Ontario, Canada N3T 5T3
Tel (519) 754-0044, Fax (519) 754-1569
E-mail: info@hultdins.com