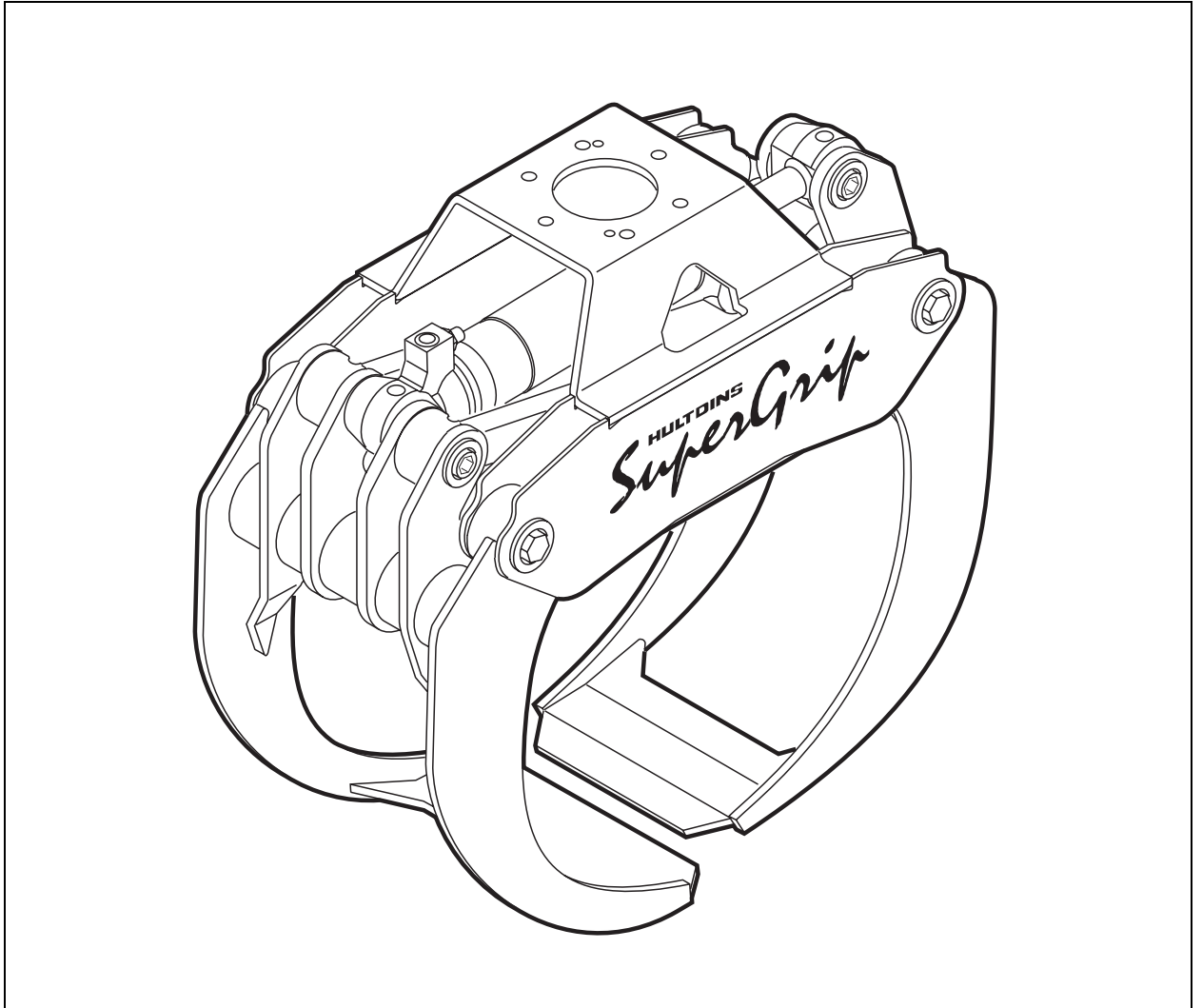


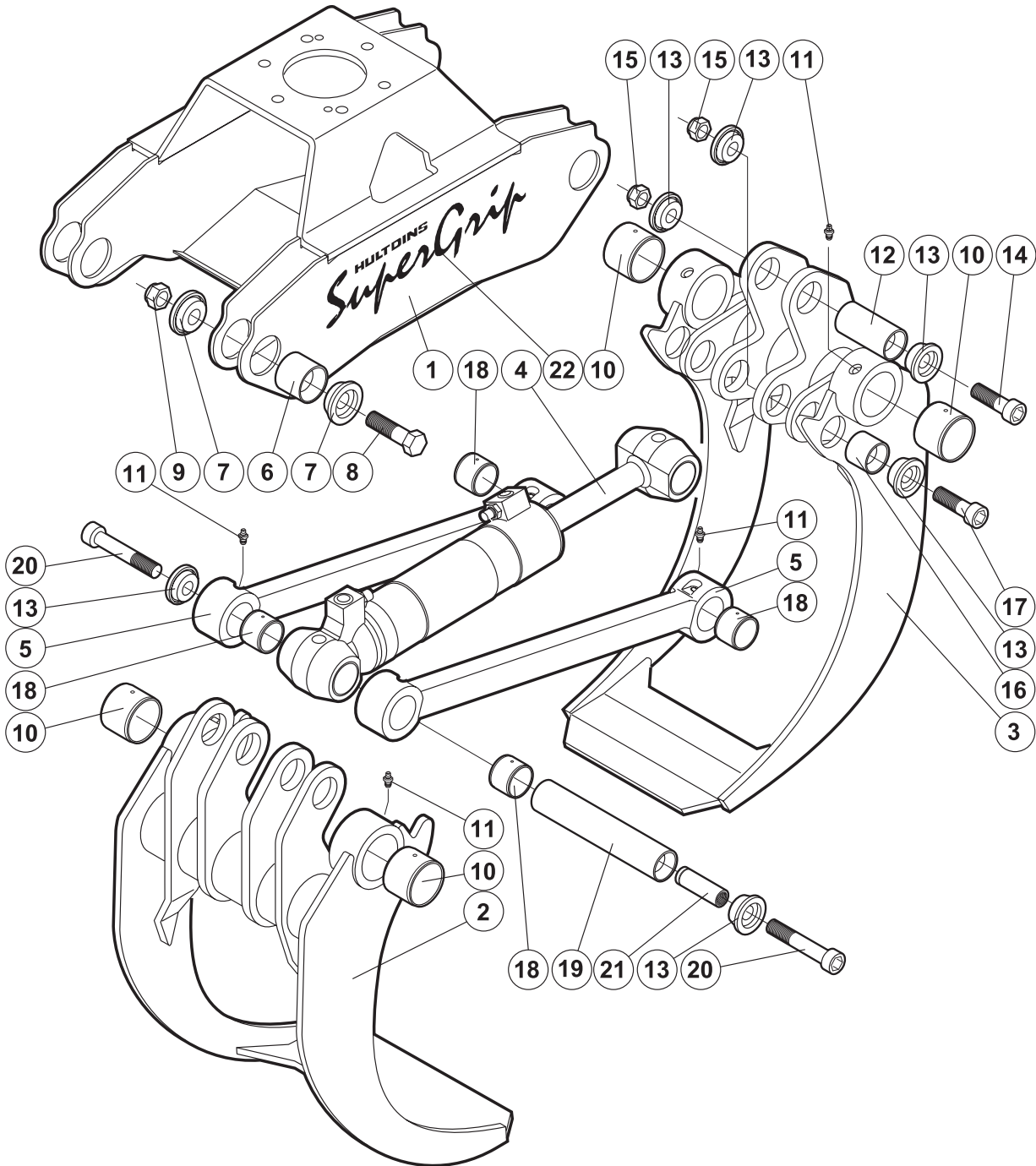
HULTDINS
SuperGrip™



SuperGrip 520

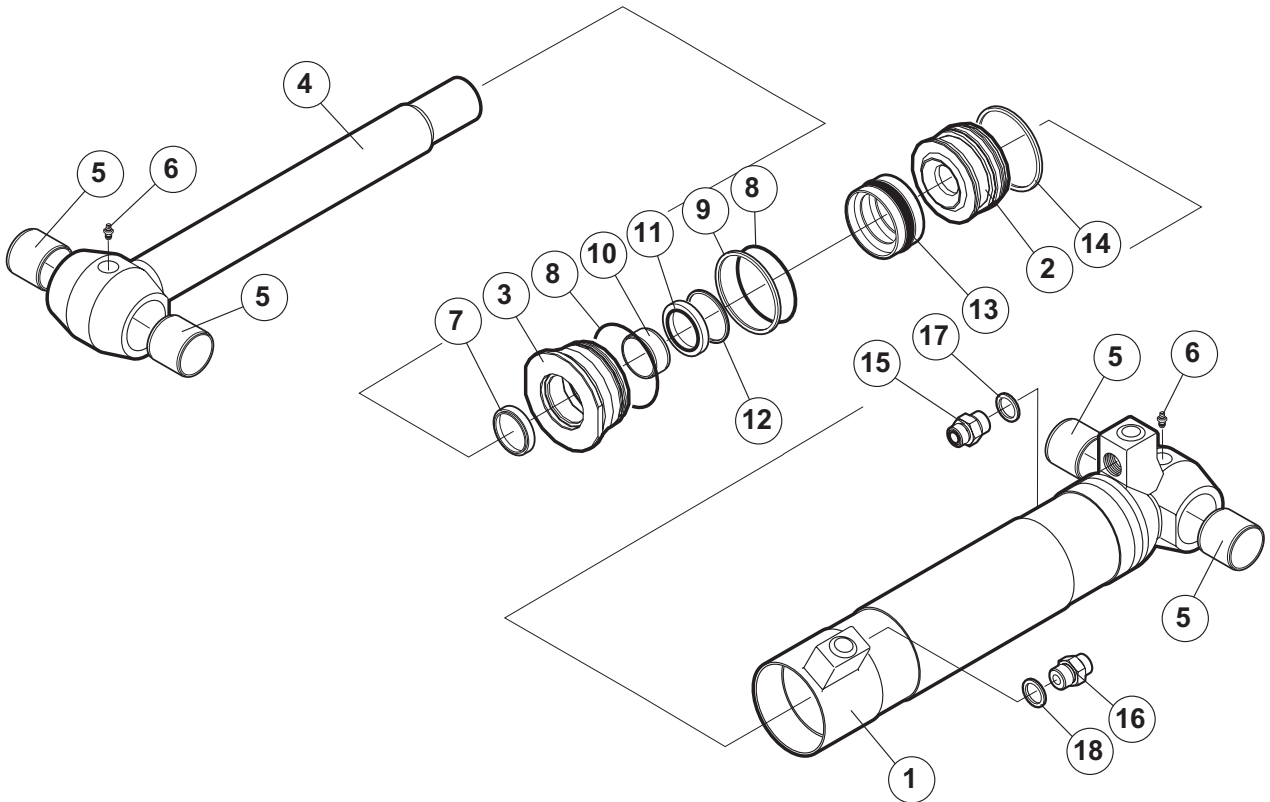
Parts Manual
S/N 029-1770 and up

Grapple assy. - SG 520



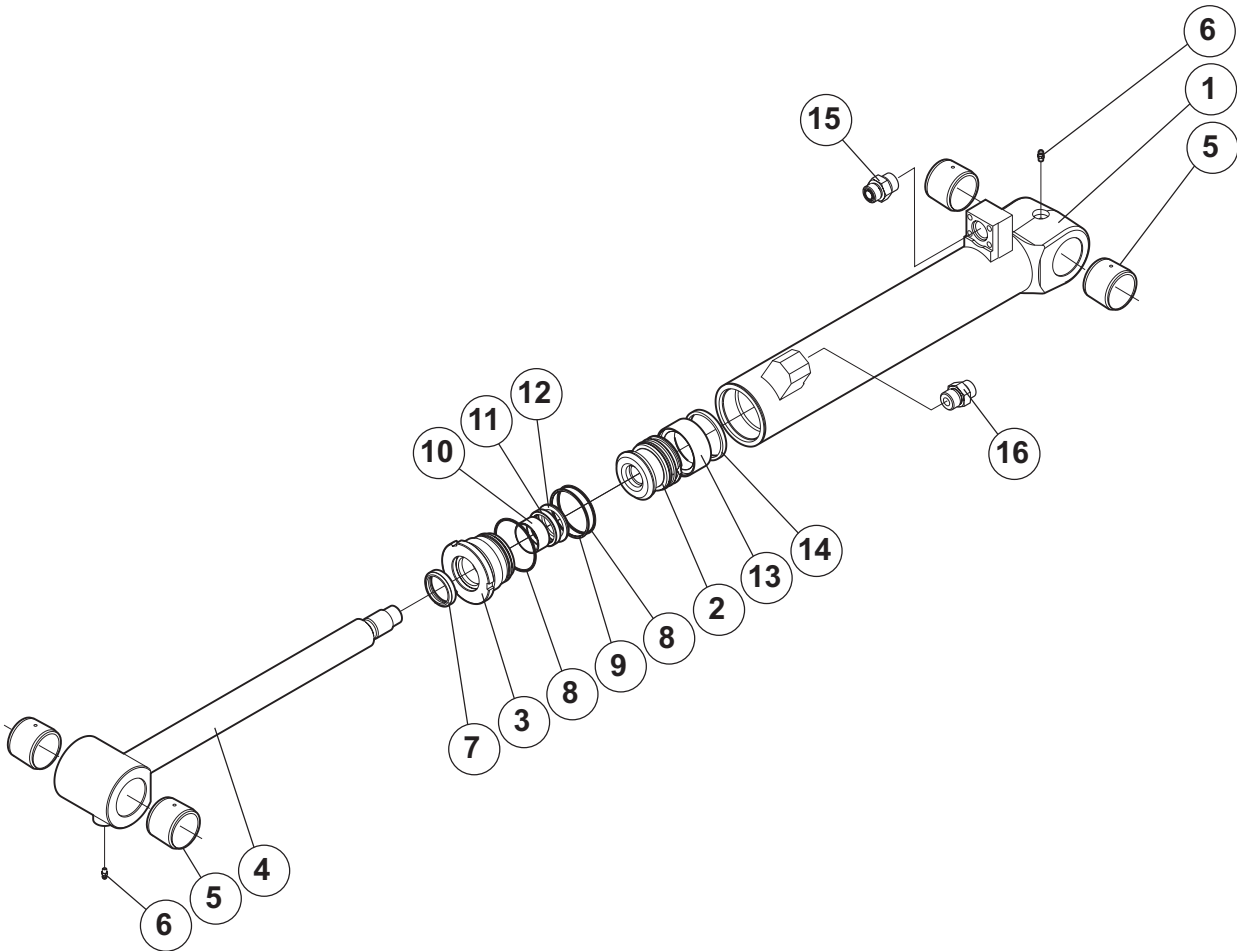
Item #	Qty	Part no.	Description	Notes
-	1	0683 000	SuperGrip 520 LP	item #1-4a, 5-21
-	1	0683 350	SuperGrip 520 HP	item #1-4b, 5-21
1	1	0683 001	Frame	
2	1	0683 008	Grapple arm, female	
3	1	0683 007	Grapple arm, male	
4a	1	0150 004	Cylinder assy.	ø100/63
4b	1	0150 020	Cylinder assy.	ø90/56
5	2	0683 030	Rod	
6	4	0683 020	Pin	
7	8	0683 021	Washer	
8	4	0104 632	Hex. bolt	M6S 24 x100 10.9
9	4	0106 033	Nut	M6M 24 GB10 FOS.
10	4	0683 071	Bushing	
11	8	0114 004	Grease nipple	M6 x 1
12	1	0683 059	Pin	
13	8	0683 054	Washer	
14	1	0104 087	Socket head cap screw	M6S 20 x160 10.9
15	3	0106 032	Nut	M6M 20 GB10 FOS.
16	2	0683 056	Pin	
17	2	0104 617	Socket head cap screw	M6S 20 x110 10.9
18	4	0683 072	Bushing	
19	1	0683 077	Pin	
20	1	0104 617	Socket head cap screw	M6S 20 x110 10.9
20	1	0104 087	Socket head cap screw	M6S 20 x160 10.9
21	1	0683 009	Nut	
22	-	-	-	

Cylinder 0150 004



Item #	Qty	Part No.	Description	Notes
1	1	0150 513	Barrel	incl. item #5,6
2	1	0150 509	Piston	
3	1	0150 511	Gland	
4	1	0150 514	Rod	incl. item #5,6
5	4	0683 073	Plain Bearing	
6	2	0114 004	Grease Fitting	M6
7	1	-	Dust Seal	(seal kit)
8	2	-	O-ring	(seal kit)
9	1	-	Backup Ring	(seal kit)
10	1	0150 526	Guide Ring	
11	1	-	Rod Seal	(seal kit)
12	1	-	Retainer Ring	(seal kit)
13	1	-	Piston Seal	(seal kit)
14	1	0150 529	Piston Ring	
15a	1	0130 061	Nipple	BSP #12 - JIC #10
15b	1	0130 064	Nipple	BSP #12 - BSP#12
16a	1	0130 107	Nipple	BSP #8 - JIC #10
16b	1	0130 008	Nipple	BSP #8 - BSP #8
17	1	0106 584	Bonded Seal	BSP #12 * only with item 15b *
18	1	0106 577	Bonded Seal	BSP #8 * only with item 16b *
-	-	0150 004	Cylinder assy.	incl. items # 1-14
-	-	0121 078	Seal kit	incl. items # 7-9, 11-13

Cylinder 0150 020



Item #	Qty	Part No.	Description	Notes
1	1	0150 559	Barrel	incl. item #5,6
2	1	0150 506	Piston	
3	1	0150 507	Gland	incl. item #10
4	1	0150 558	Rod	incl. item #5,6
5	4	0683 073	Plain Bearing	
6	2	0114 004	Grease Fitting	M6
7	1	-	Dust Seal	(seal kit)
8	2	-	O-ring	(seal kit)
9	1	-	Backup Ring	(seal kit)
10	1	-	Guide Ring	(seal kit)
11	1	-	Rod Seal	(seal kit)
12	1	-	Retainer Ring	(seal kit)
13	1	-	Piston Seal	(seal kit)
14	1	0150 528	Piston Ring	
15a	-	0130 365	Nipple	SAE #12 - JIC #10
15b	-	0130 377	Nipple	SAE #12 - BSP #12
16a	-	0130 365	Nipple	SAE #12 - JIC #10
16b	-	0130 376	Nipple	SAE #12 - BSP #8
-	-	0150 020	Cylinder assy.	incl. items # 1-14
-	-	0121 077	Seal kit	incl. items # 7-13

HULTDINS
SuperGrip™



0102-7000169



Hultdin System AB
Skolgatan 12, SE-930 70 MALÅ, Sweden
Tel +46 953 418 00, Fax +46 953 418 01
E-mail: sales@hultdins.se

Hultdins Inc.
P.O. Box 1205, 22 Morton Ave. East
Brantford, Ontario, Canada N3T 5T3
Tel (519) 754-0044, Fax (519) 754-1569
E-mail: info@hultdins.com