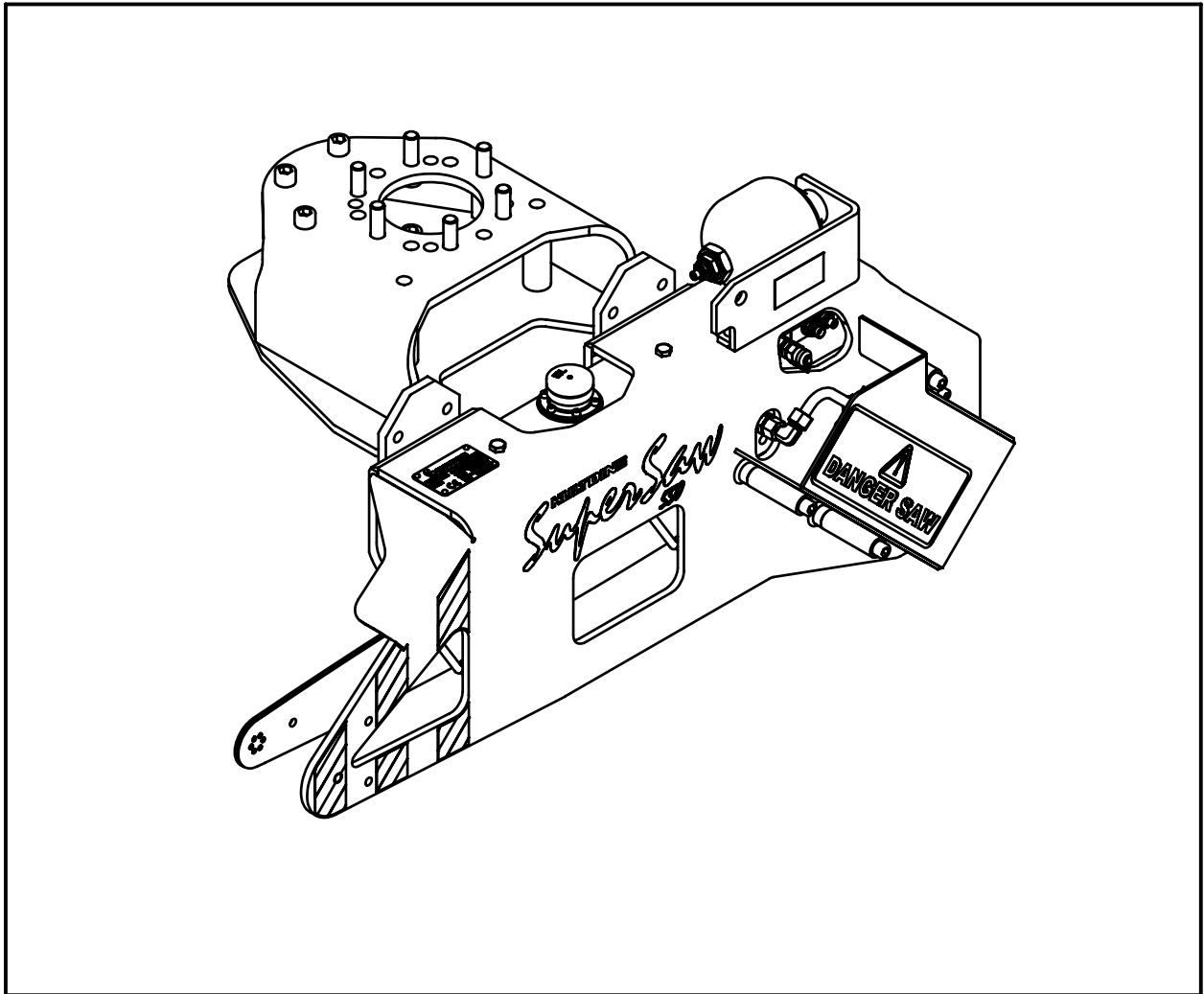


HULTDINSTM SuperSaw



SuperSaw 550-19/BSP

2004-02-19

Rev. 12

Doc.Nr. 7000217-EN

Utg. 01-04

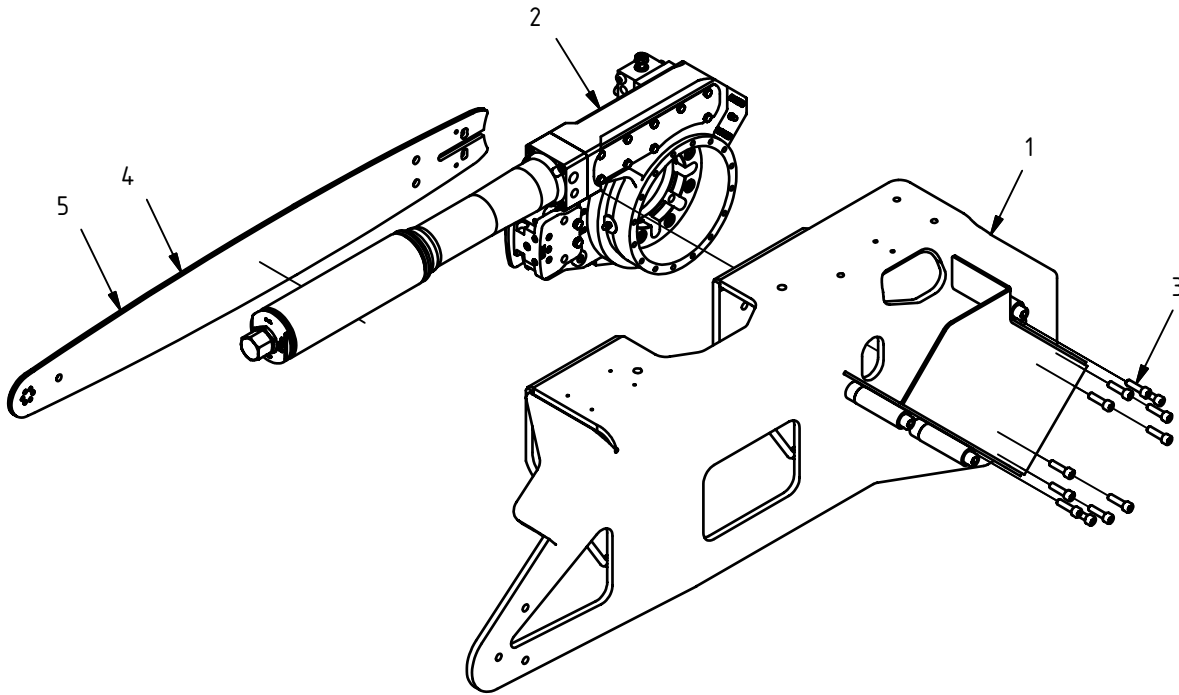
English

Parts manual

0669600

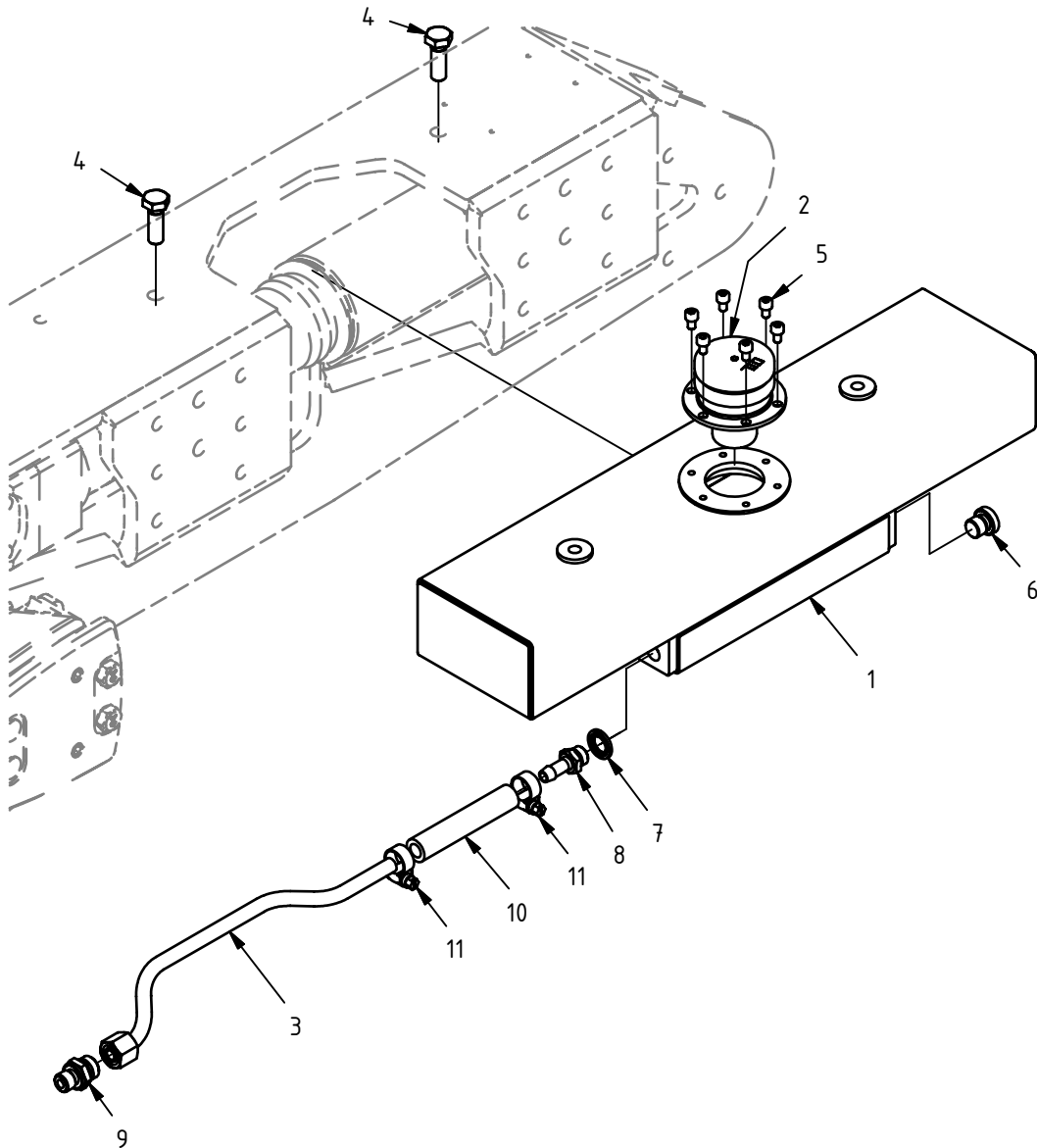
S/N 031-0790 and up

SuperSaw 550 - Saw unit assy.



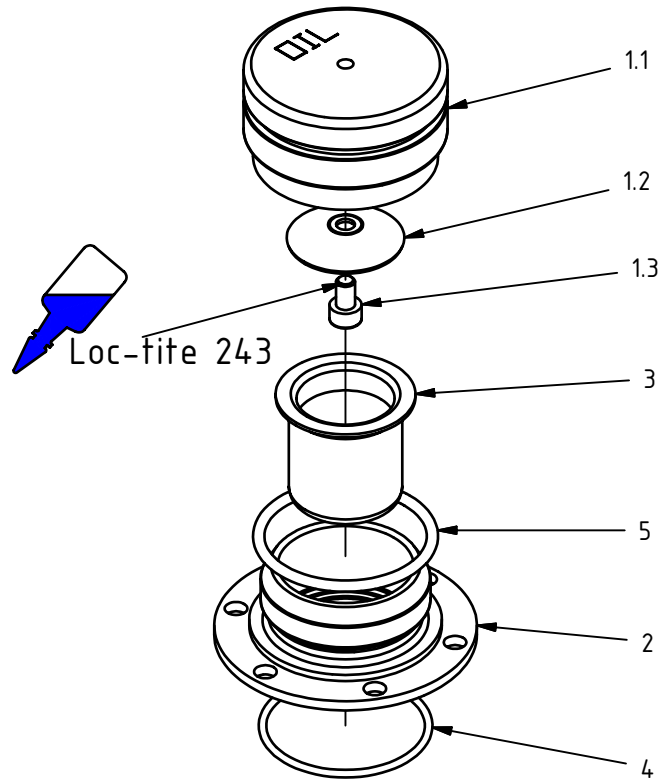
Item	Qty.	Part Number	Description	Notes
1	1	0669509	Frame	
2	1	0703896	SuperCut	
3	12	0104057	Socket hd. Cap Screw	ISO 4762 - M8x30, 8.8
4	1	0162026	Saw bar	902HSFL114
5	1	0110011	Saw chain	18H-99

Lubrication oil tank assy.



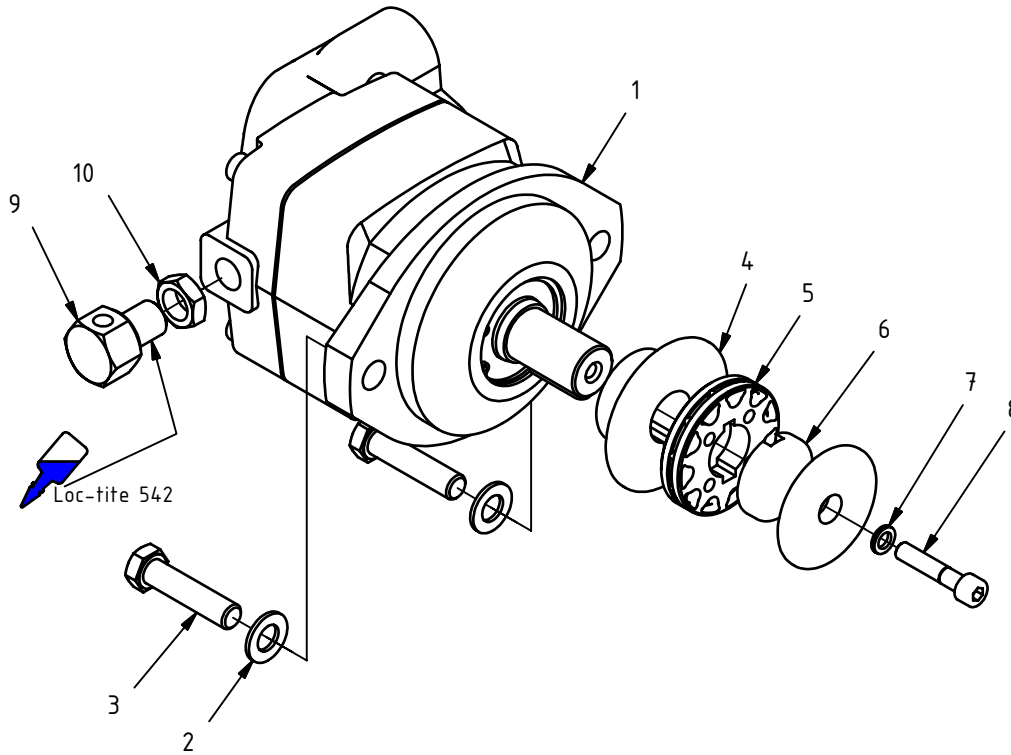
Item	Qty.	Part Number	Description	Notes
1	1	0669507	Lubrication oil tank	
2	1	0703505	Filler cap assy.	
3	1	0669549	Oil pipe assy.	
4	2	0104371	Hex hd. cap screw	ISO 4017 - M10x30, 8.8
5	6	0104411	Socket hd. cap screw	ISO 4762 - M5 x 8, 12.9
6	1	0130178	Plug	VST11/4EDA3C
7	1	0106579	Bonded Seal	D9DT-4
8	1	0131015	Hose connector	BSP 1/4"
9	1	0130142	Male connector	GE10PLREDA3C
10	1	0669505	Hose	ø17 / 10
11	2	0135014	Hose clamp	11 - 17 mm

Filler cap assy.



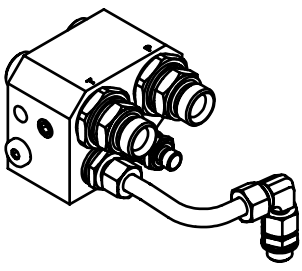
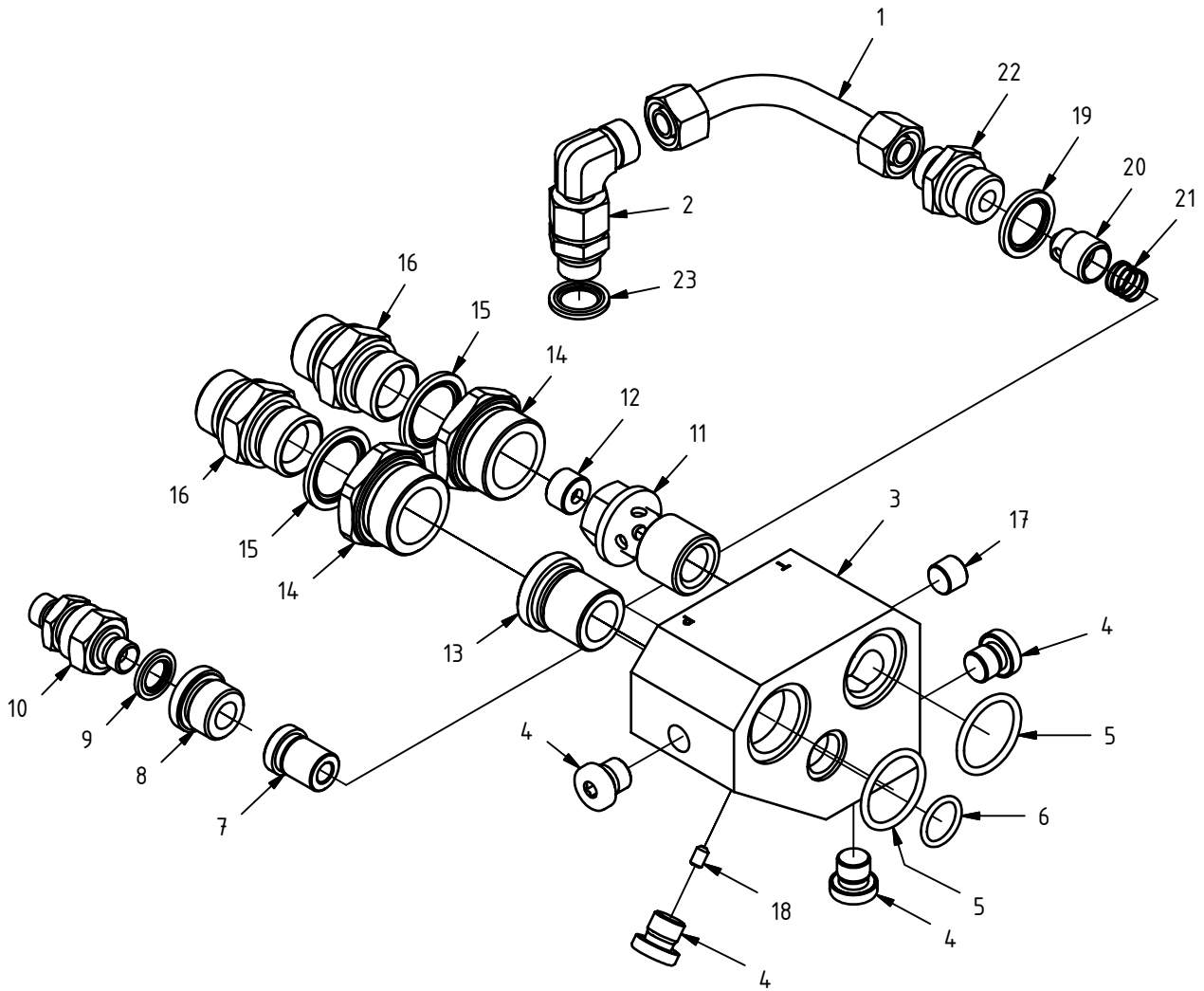
Item	Qty.	Part Number	Description	Notes
1	1	0703501	Cap assy.	
1.1	1	0703506	Cap	
1.2	1	0703057	Membrane	
1.3	1	0104411	Socket hd. cap screw	ISO 4762 - M5 x 8, 12.9
2	1	0703504	Filling pipe	
3	1	0703503	Strainer	
4	1	0118016	O-ring	40 x 2
5	1	0118029	O-ring	40 x 3,0

Saw motor F11-19 assy.



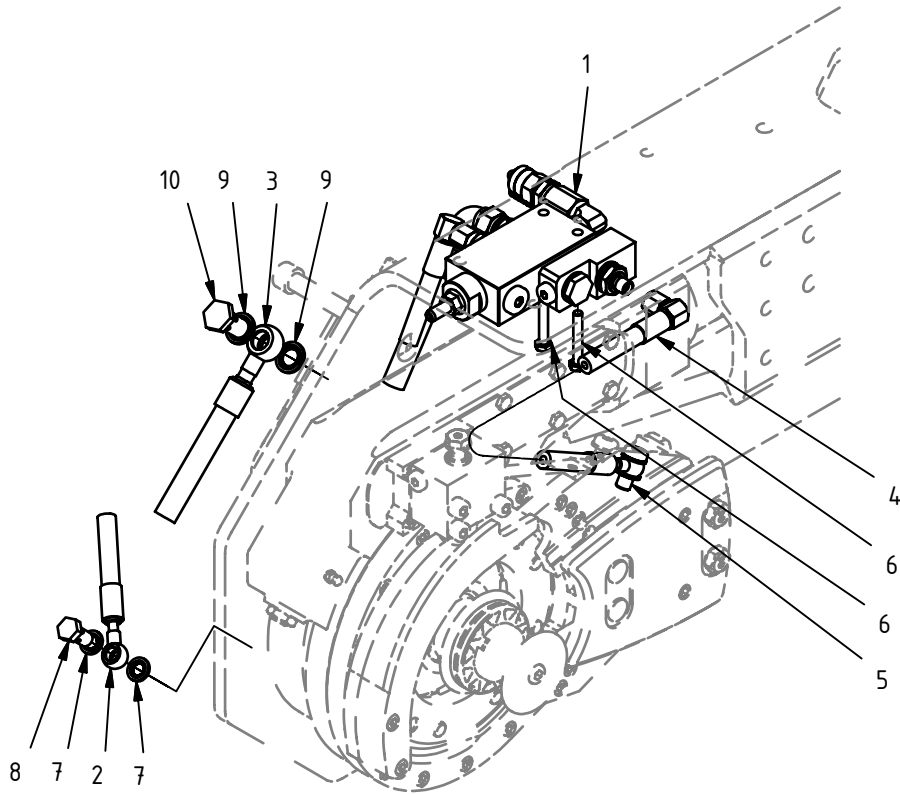
Item	Qty.	Part Number	Description	Notes
1	1	0163001	Hydraulic motor	F11-019-HB-CH-K
2	2	0106587	Plain washer	SS70 - 13 x 24 x 2,0
3	2	0104356	Hex hd. Cap Screw	ISO 4014 - M12x50, 10.9
4	1	0703698	Spacer	
5	1	0109007	Drive sprocket 11, 19cc	ORC11
6	1	0703697	Chain catcher F11-19	
7	1	0106501	Washer	Nord-Lock M8
8	1	0104397	Socket hd. cap screw	ISO 4762 - M8x40, 12.9
9	1	0669782	Nipple	
10	1	0130166	Nut	BSPP 3/8"

Saw motor manifold assy. - F11-19

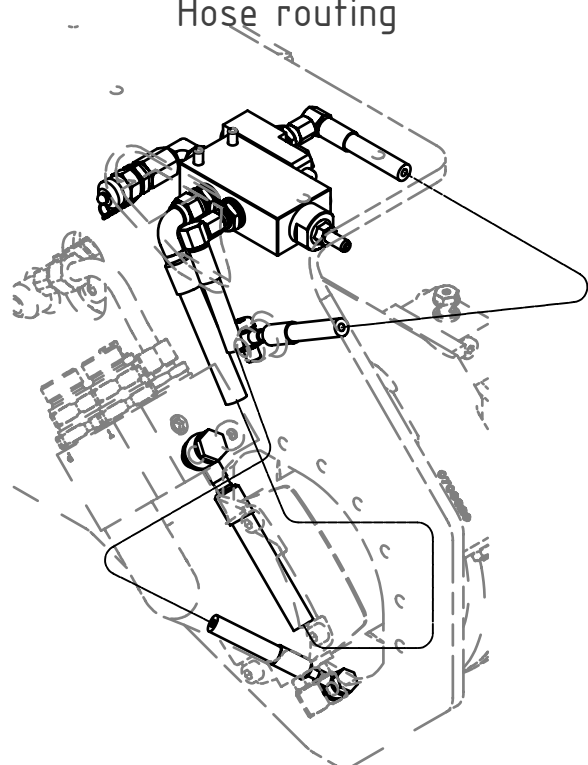


Item	Qty.	Part Number	Description	Notes
1	1	0678379	Tube assy.	
2	1	0130271	Elbow Connector EO	EVW 12-PLR
3	1	0703020	Manifold F11-19	
4	4	0130178	Plug	VST11/4EDA3C
5	2	0118003	O-ring	29,2 x 3,0
6	1	0118092	O-ring	17,3 x 2,4
7	1	0163015	Collar screw	BSCH 3/4"
8	1	0662196	Bushing	
9	1	0106579	Bonded Seal	D9DT-4
10	1	0136078	Check valve	NRSM-1/4
11	1	0662137	Nipple	
12	1	0662372	Restrictor plug	BSPP 3/8" - ø6
13	1	0163064	Collar screw	BSCH 3/4"
14	2	0662022	Reducing adapter	M35x1,5 / G-3/4
15	2	0106584	Bonded Seal	D9DT-12
16	2	0130064	Adapter str.	12HMK4
17	1	0130188	Plug	BSPT 1/4"
18	1	0104700	Allen Set Screw	ISO 4026 - M5x8
19	1	0106577	Bonded Seal	D9DT-8
20	1	0703018	Valve	
21	1	0114535	Compression Spring	0,63x12,5x30
22	1	0130002	Connector str. EO	GE 12-PLR 1/2
23	1	0106581	Bonded Seal	D9DT-6

Pressure regulating valve assy.

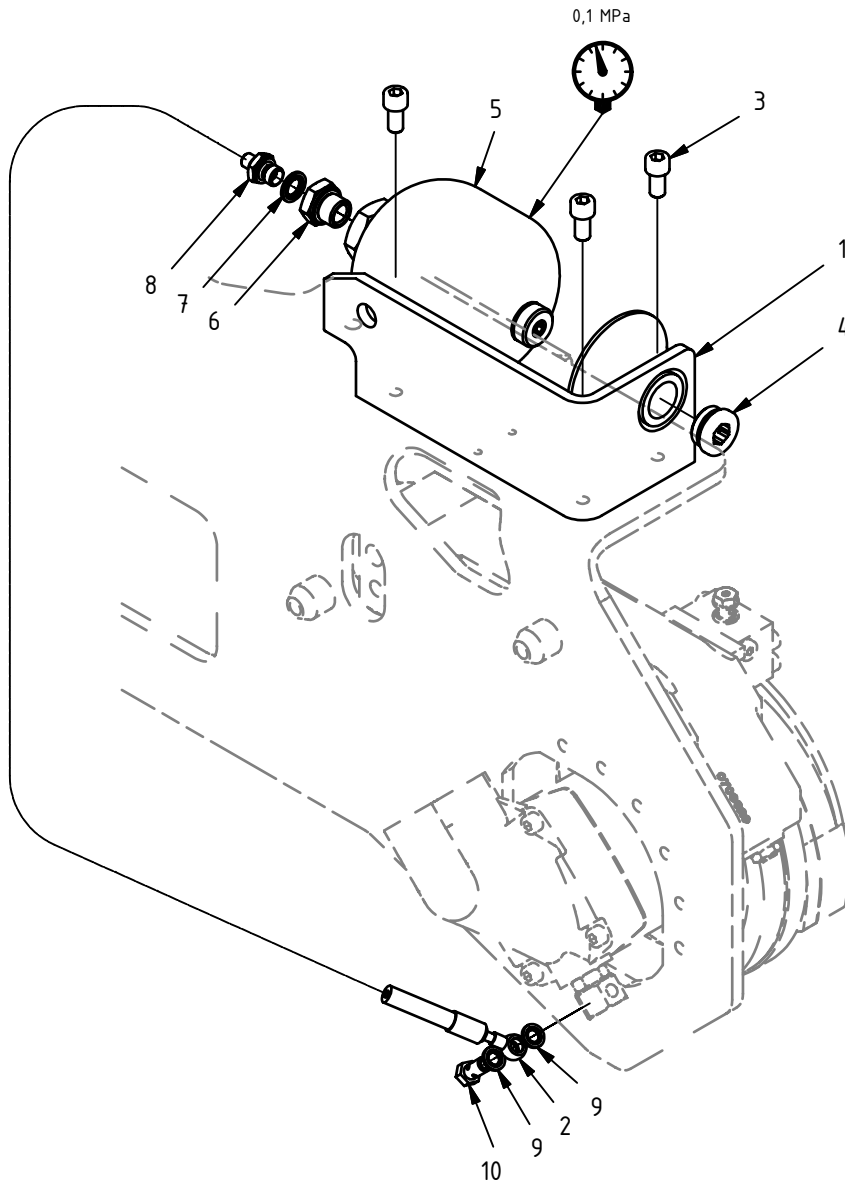


Hose routing



Item	Qty.	Part Number	Description	Notes
1	1	0703840	Pressure regulating valve kit	
2	1	0669545	Hose assy.	491-B4-49-02-02-03-0400
3	1	0669546	Hose assy.	461-B2-49-04-04-04-0380
4	1	0669548	Hose assy.	491-B2-49-02-02-03-0605
5	1	0703782	Check valve assy.	BSPP 1/8"
6	2	0104531	Hex hd. cap screw	ISO 4017 - M6x40, 8.8
7	2	0106585	Bonded Seal	D9DT-2
8	1	0130324	Banjo screw	Specma 181-02
9	2	0106579	Bonded Seal	D9DT-4
10	1	0130193	Banjo Bolt	AR4

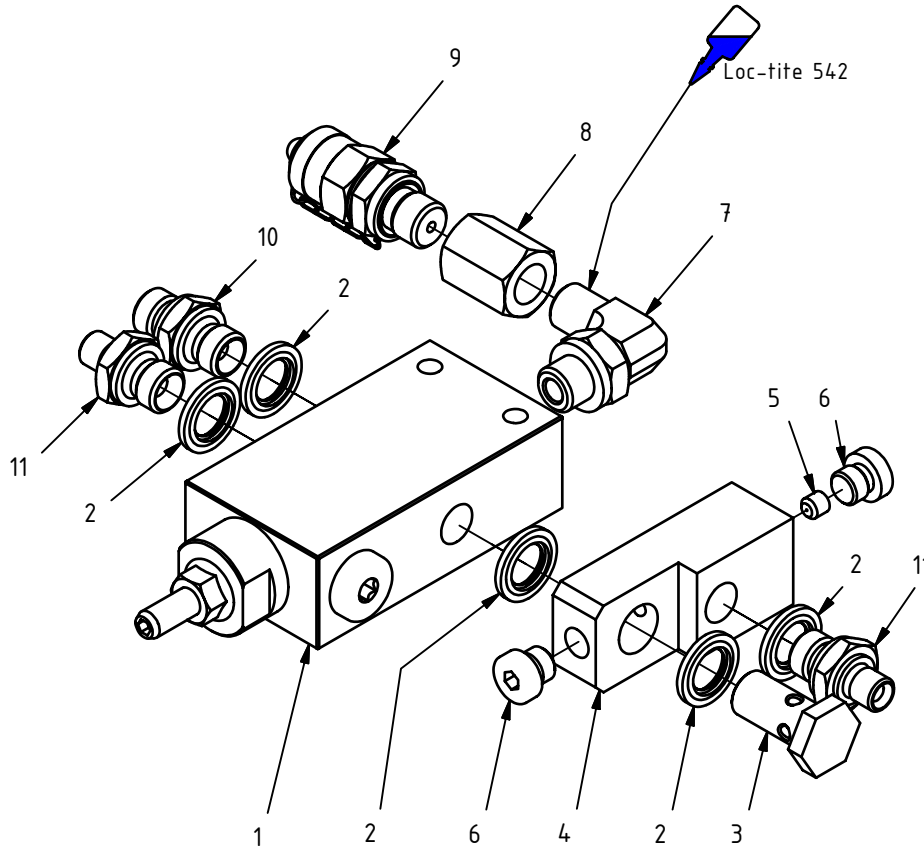
Saw motor case drain circuit



⚠ WARNING
Refer to service information

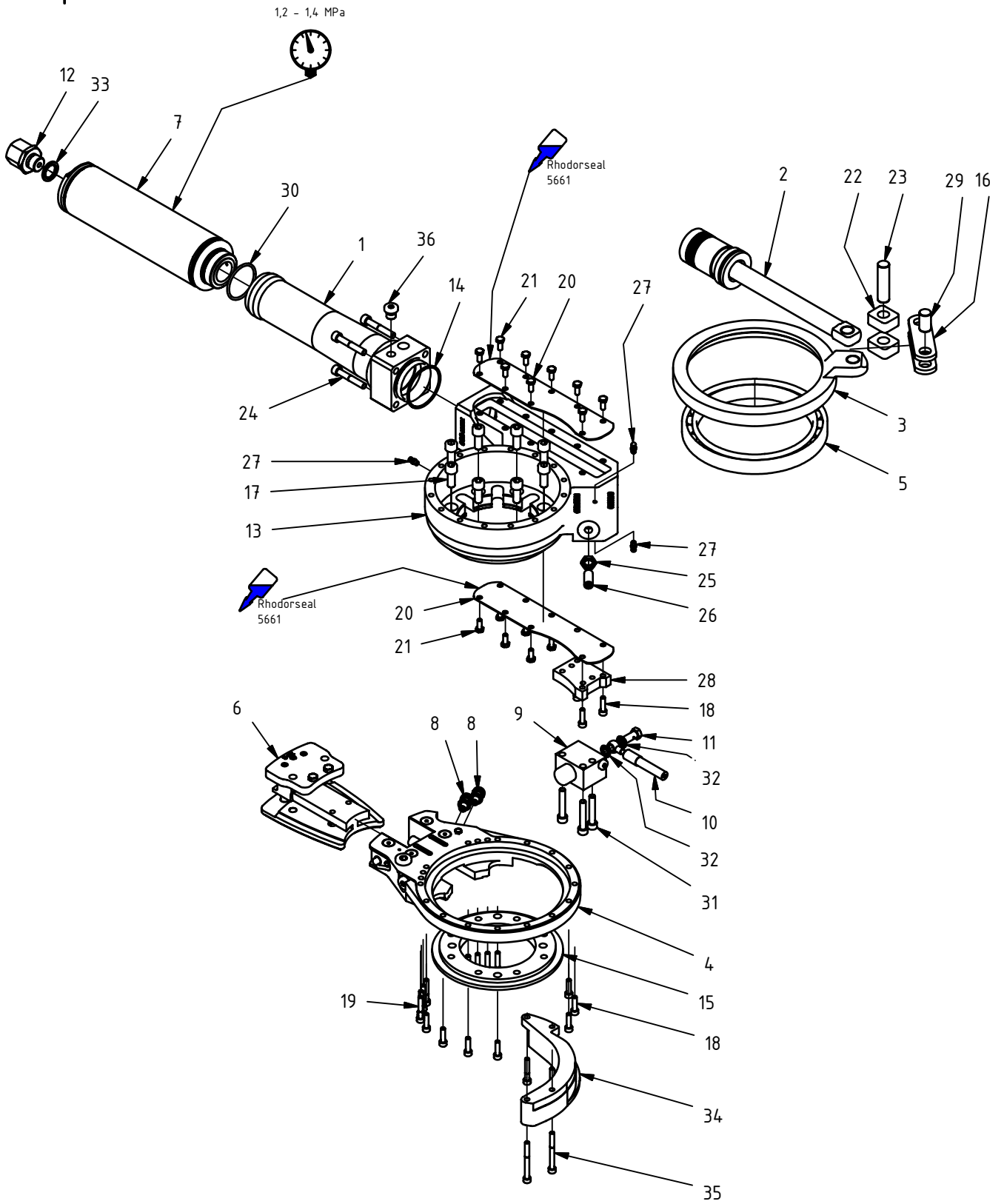
Item	Qty.	Part Number	Description	Notes
1	1	0692005	Accumulator bracket	
2	1	0669726	Hose assy.	491-B4-49-02-02-03-0640
3	3	0104456	Socket hd. cap screw	ISO 4762 - M10x20, 12.9
4	1	0130327	Plug	VSCH M28x1,5
5	1	0136075	Accumulator	SBO210-0.75E1/663U-210AK001
6	1	0130198	Reducing adapter	R11/2EDX1/4A3C
7	1	0106579	Bonded Seal	D9DT-4
8	1	0130084	Adapter str.	4-2HMK4
9	2	0106585	Bonded Seal	D9DT-2
10	1	0130324	Banjo screw	Specma 181-02

Pressure regulating valve kit



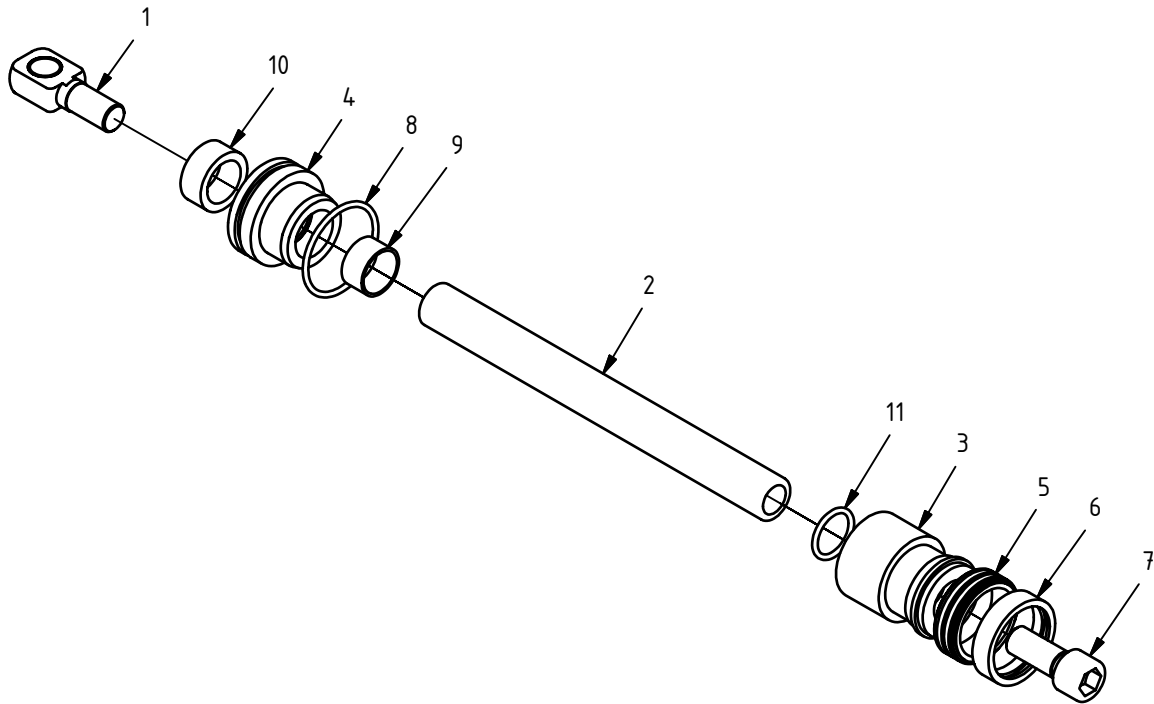
Item	Qty.	Part Number	Description	Notes
1	1	0136007	Pressure regulating valve	PRS6G-30-01-0
2	5	0106579	Bonded Seal	D9DT-4
3	1	0130193	Banjo Bolt	AR4
4	1	0703845	Restrictor manifold	
5	1	0136033	Restrictor plug 0,45mm	91271971-04
6	2	0130112	Plug	VST11/8EDA3C
7	1	0130110	Elbow nipple	Specma 716-04
8	1	0130220	Nipple, female	BSPP 1/4
9	1	0130169	Pressure Gauge Fitting	M01-04
10	1	0130089	Adapter str.	4HMK4
11	2	0130084	Adapter str.	4-2HMK4

SuperCut



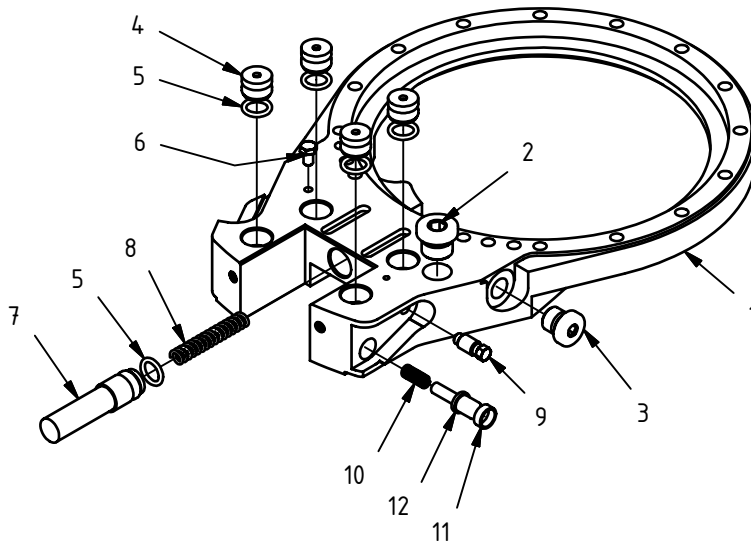
Item	Qty.	Part Number	Description	Notes
1	1	0703718	Barrel	
2	1	0703748	Piston Rod assy.	
3	1	0703611	Link	
4	1	0704009	Tension device assy.	
5	1	0126015	Roller bearing	61832 MA
6	1	0704050	Bar holder assy.	
7	1	0703650	Airtank	
8	2	0703782	Check valve assy.	BSPP 1/8"
9	1	0703720	Lubrication Oil Pump M06	
10	1	0703762	Hose assy.	491-49-49-02-02-03-0460
11	1	0703731	Check valve	BSPP 1/4"
12	1	0669118	Air Nipple assy.	
13	1	0703610	Housing	
14	1	0684155	Backup Ring	63,8/59 x 1,3
15	1	0703613	Washer	
16	1	0703008	Link	
17	8	0104458	Socket hd. cap screw	ISO 4762 - M10x25, 12.9
18	11	0104425	Socket hd. cap screw	ISO 4762 - M6x22, 12.9
19	10	0104427	Socket hd. Cap Screw	ISO 4762 - M6x35, 12.9
20	2	0703618	Cover	
21	15	0104349	Hex hd. Cap Screw	ISO 4017 - M6x14, 8.8
22	2	0703617	Glide block	
23	1	0703022	Dowel Pin	CPK 16m6 X 060
24	4	0104446	Socket hd. Cap Screw	ISO 4762 - M8x50, 12.9
25	1	0106007	Nut	ISO 4035 - M12
26	1	0104736	Allen set screw	ISO 4026 - M12x30
27	3	0114004	Grease Fitting	M6x1
28	1	0703724	Plate	
29	1	0703056	Dowel Pin	CPK 16m6 X 028
30	1	0118047	O-ring	48,7 x 3,0
31	3	0104445	Socket hd. Cap Screw	ISO 4762 - M8x45, 12,9
32	2	0106702	Bonded seal	GM 2000 - M10
33	1	0106577	Bonded Seal	D9DT-8
34	1	0703866	Cam curve	6ml / 90°
35	2	0104431	Socket hd. Cap Screw	ISO 4762 - M6x60, 12.9
36	1	0130178	Plug	VST11/4EDA3C

Piston rod assy.



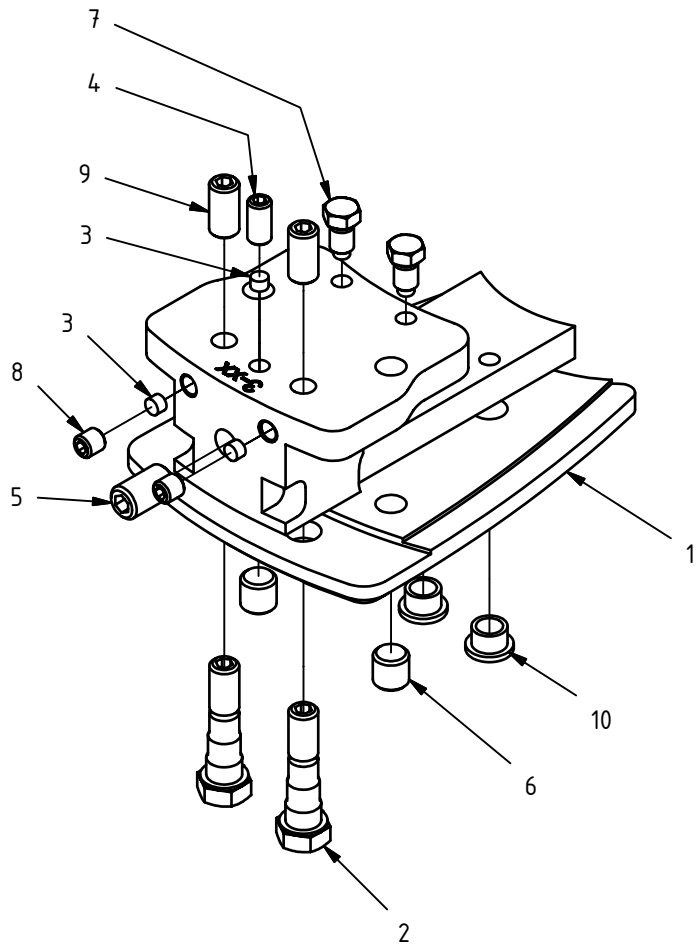
Item	Qty.	Part Number	Description	Notes
1	1	0703051	Piston rod end	
2	1	0703007	Piston Rod	
3	1	0703616	Piston	
4	1	0703615	Gland	
5	1	0120007	Piston Seal	TDMA 50/40x15
6	1	0118534	Guide Ring	FA 50x12
7	1	0104494	Socket hd. Cap Screw	ISO 4762-M16x40
8	1	0118036	O-ring	∅49,5 x 3
9	1	0124075	Plain Bearing	2515
10	1	0120009	Piston Rod Seal	TDMI 25/35x15
11	1	0118006	O-ring	24,2 x 3,0

Tension device assy.



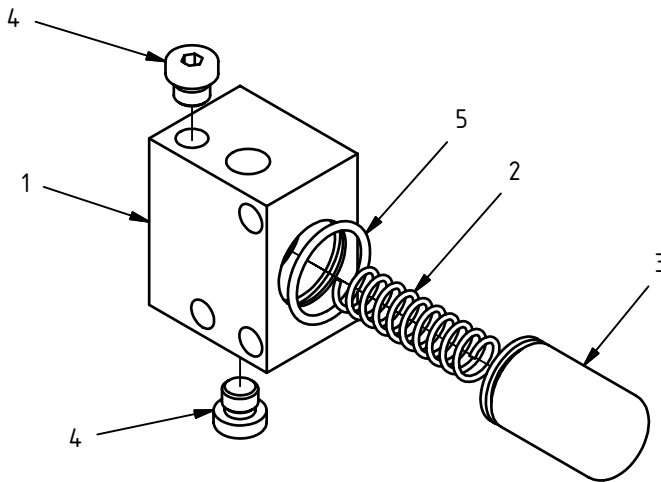
Item	Qty.	Part Number	Description	Notes
1	1	0704032	Tension plate	
2	1	0130123	Plug	VST13/8EDA3C
3	1	0130178	Plug	VST11/4EDA3C
4	4	0685018	Piston	
5	5	0118022	O-ring	11,3 x 2,4
6	1	0104131	Hex hd. cap screw	ISO 4017 - M5x8, 8.8
7	1	0704013	Piston	
8	1	0114506	Compression Spring	1,6 x 7,1 x 90
9	1	0685016	Screw	
10	1	0114529	Compression Spring	0,5 x 6,3 x 30
11	1	0685028	Sleeve	
12	1	0704028	Locking Pin	

Bar holder assy.



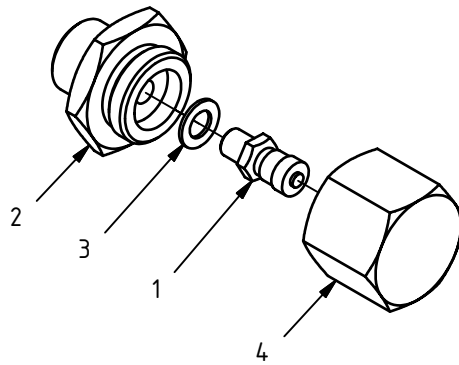
Item	Qty.	Part Number	Description	Notes
1	1	0704050	Bar holder assy.	all items listed
2	2	0704048	Guide screw #2	
3	3	0676541	Locking plug	
4	1	0104719	Allen set screw	ISO 4026 - M8x16
5	1	0104734	Allen set screw	ISO 4026 - M12x20
6	2	0104731	Allen set screw	ISO 4026 - M12x12
7	2	0703735	Guide screw	
8	2	0104705	Allen set screw	ISO 4026 - M8x8
9	2	0104143	Allen set screw	ISO 4026 - M10x20
10	2	0122068	Plastic plug	

Lubrication oil pump M06



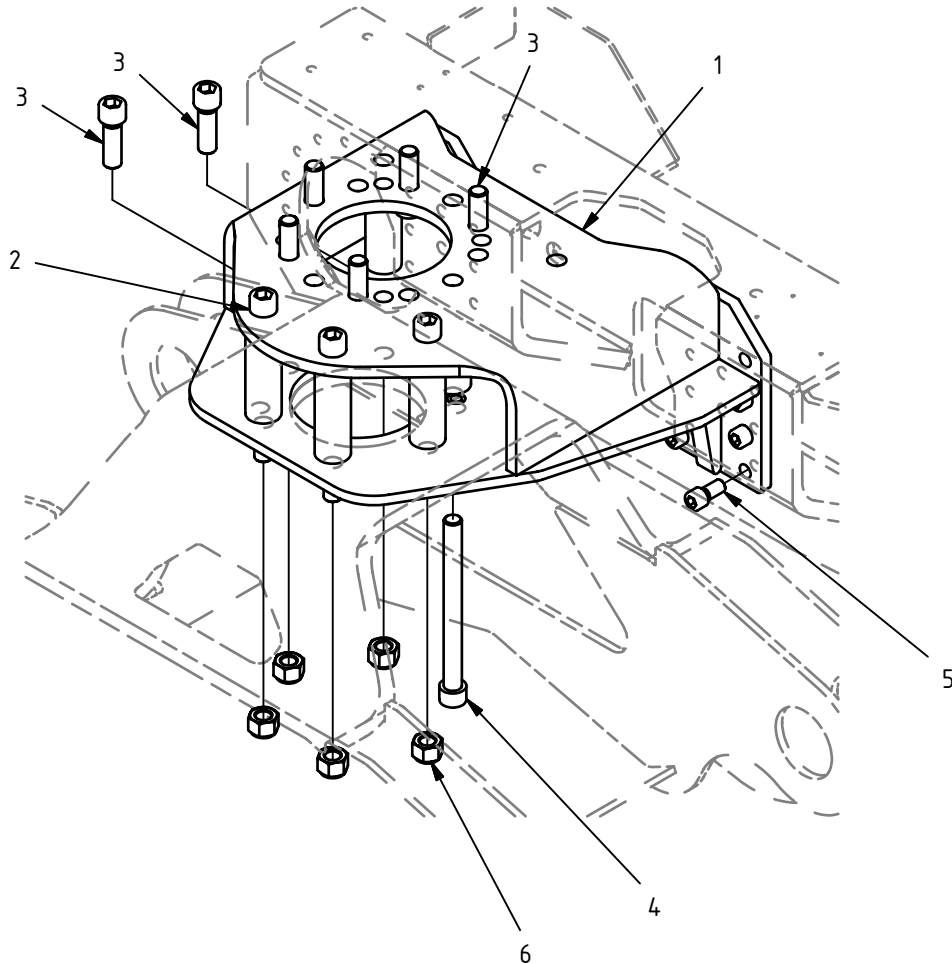
Item	Qty.	Part Number	Description	Notes
1	1	0703721	Housing	
2	1	0114534	Compression Spring	1.6 x 12.5 x 78.0
3	1	0703723	Piston	
4	2	0130112	Plug	VST11/8EDA3C
5	1	0118104	O-ring	25,0 x 2,4
		0703720	Oil pump assy.	all items listed

Air-nipple assy.



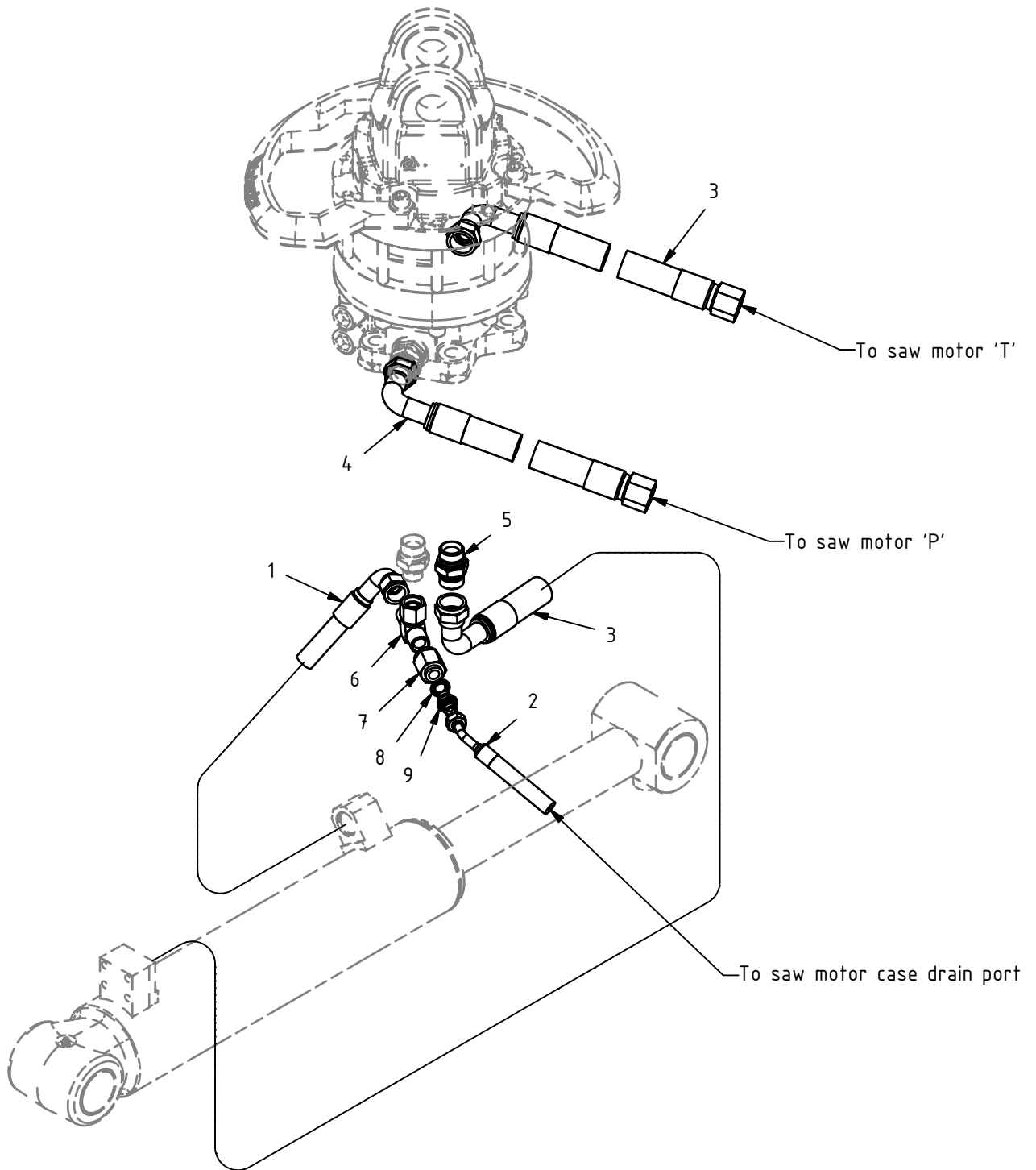
Item	Qty.	Part Number	Description	Notes
		0669118	Air-nipple assy.	item #1-4
1	1	0136295	Air-nipple	
2	1	0669119	Nipple	
3	1	0106575	Bonded seal	M8
4	1	0130280	Cap	BSP 3/4"

Rotator bracket assy.



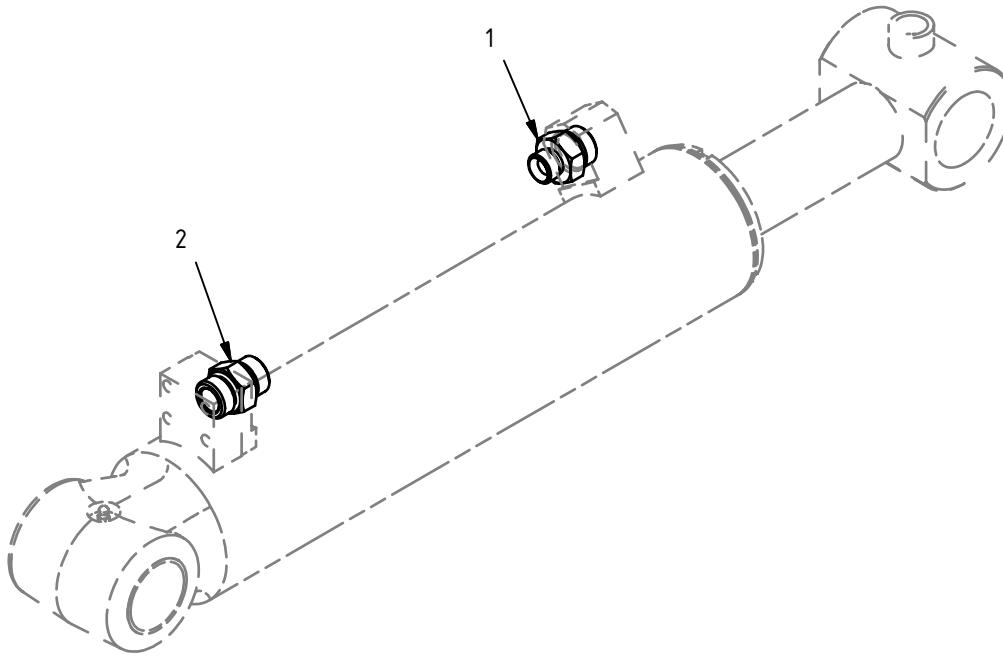
Item	Qty.	Part Number	Description	Notes
1	1	0669510	Rotator bracket	
2	3	0104132	Socket hd. cap screw	ISO 4762 - M16x160, 12.9
3	7	0104496	Socket hd. Cap Screw	ISO 4762 - M16x50, 12.9
4	1	0104155	Socket hd. cap screw	ISO 4762 - M16x180, 12.9
5	12	0104472	Socket hd. Cap Screw	ISO 4762 - M12x25, 12.9
6	5	0106084	Lock Nut	DIN 982 - M16, 8 fzb

Hose kit - SuperSaw 550



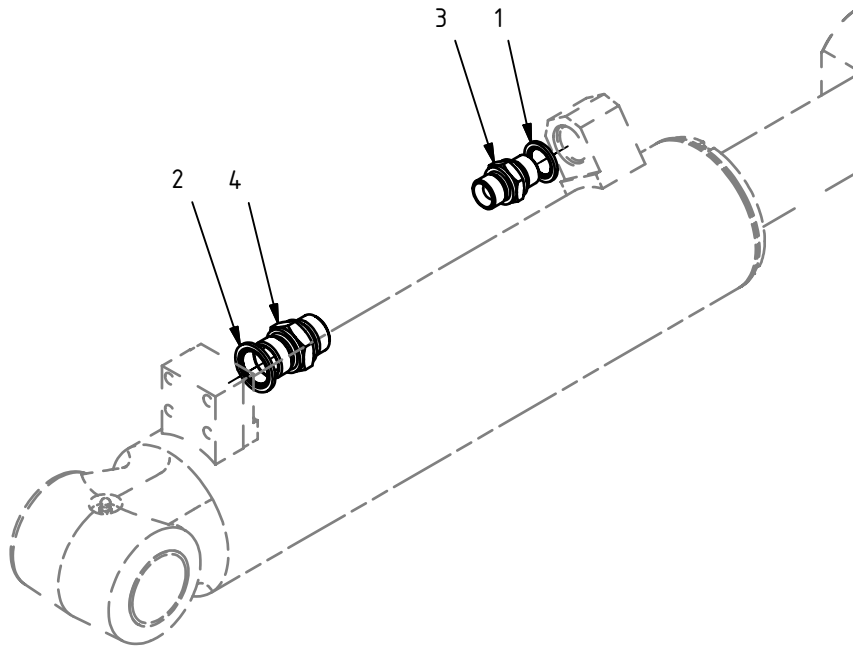
Item	Qty.	Part Number	Description	Notes
1	1	0669502	Hose assy.	461-B2-92-08-08-08-0630
2	1	0669501	Hose assy.	461-92-B1-04-04-04-0600
3	2	0662160	Hose assy.	371-B2-92-12-12-12-0920
4	1	0662397	Hose assy.	371-B2-92-12-12-12-0670
5	1	0130064	Adapter str.	12HMK4
6	1	0130302	Branch Tee	8S6MK4
7	1	0130225	Adapter, female	Specma 501-04-08
8	1	0106579	Bonded Seal	D9DT-4
9	1	0130089	Adapter str.	4HMK4
10	1	0669584	Adapter kit LP/BSP	
11	1	0669583	Adapter kit HP/BSP	

Adapter kit HP/BSP



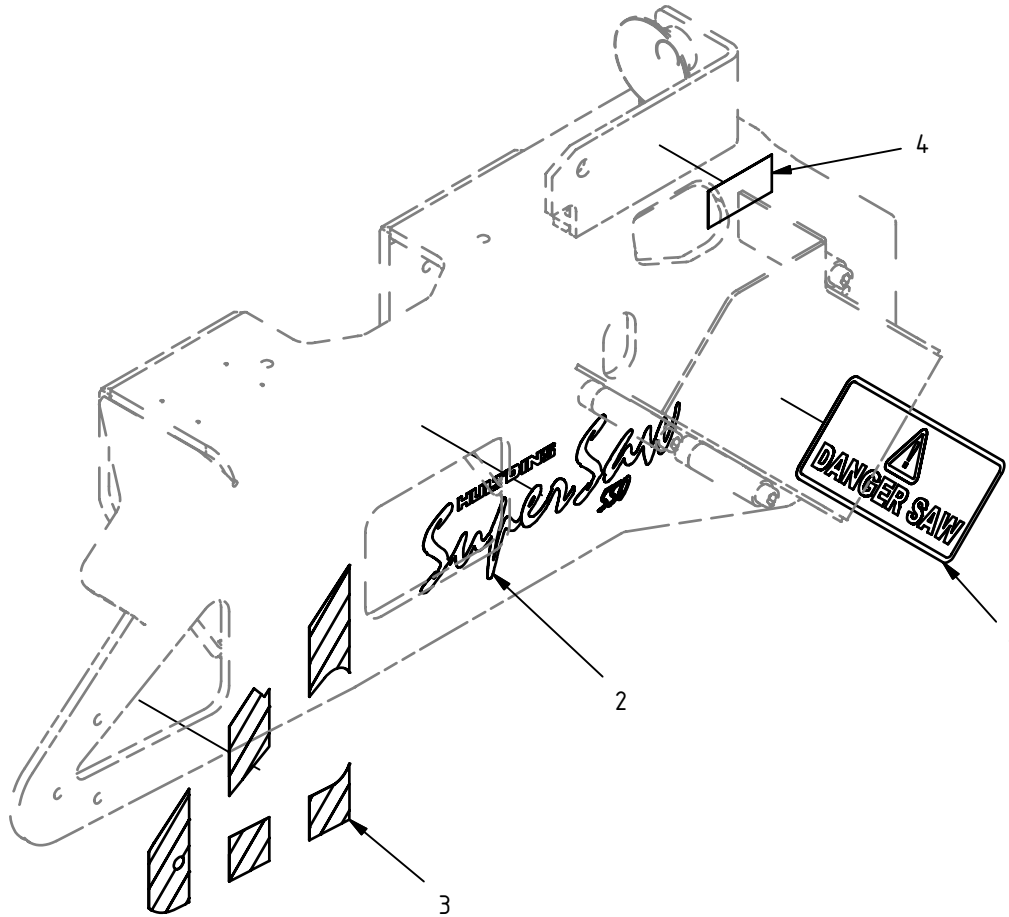
Item	Qty.	Part Number	Description	Notes
1	1	0130376	Adapter str.	Specma SGU 08-17
2	1	0130377	Adapter str.	Specma SGU 12-17

Adapter kit LP/BSP



Item	Qty.	Part Number	Description	Notes
1	1	0106577	Bonded Seal	D9DT-8
2	1	0106584	Bonded Seal	D9DT-12
3	1	0130008	Nipple	8-HMK4
4	1	0130064	Adapter str.	12HMK4

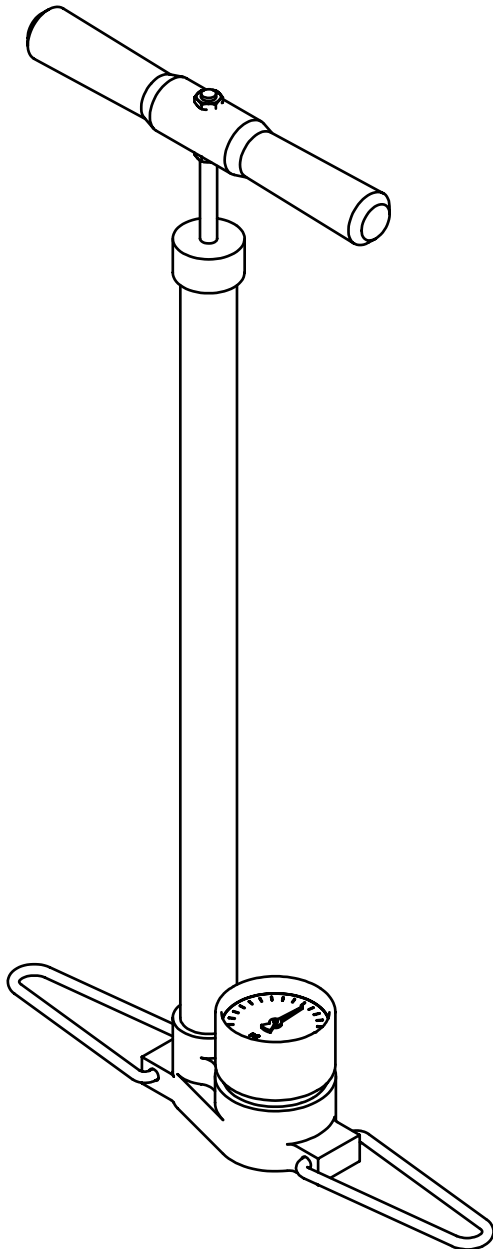
Decals - SuperSaw 550



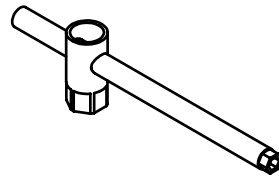
Item	Qty.	Part Number	Description	Notes
1	1	0146033	Decal, Danger Saw	
2	1	0146031	Decal, SuperSaw 550	
3	1	0146053	Warning stripe	L=1000
4	1	0146065	Decal	

Tools SuperSaw 550

Air pump
P/N 0138042



16mm / 7mm Combination wrench
P/N 0704040



HULTDINS SuperSaw™



Hultdin System AB
Skolgatan 12, SE-930 70 MALÅ, Sweden
tel. +46 953 418 00, fax +46 953 418 01
E-mail: sales@hultdins.se

English

Hultdins Inc.
22 Morton Avenue East
Brantford, Ontario, Canada N3R 7J7
tel (519) 754-0044, fax (519) 754-1569
E-mail: info@hultdins.com