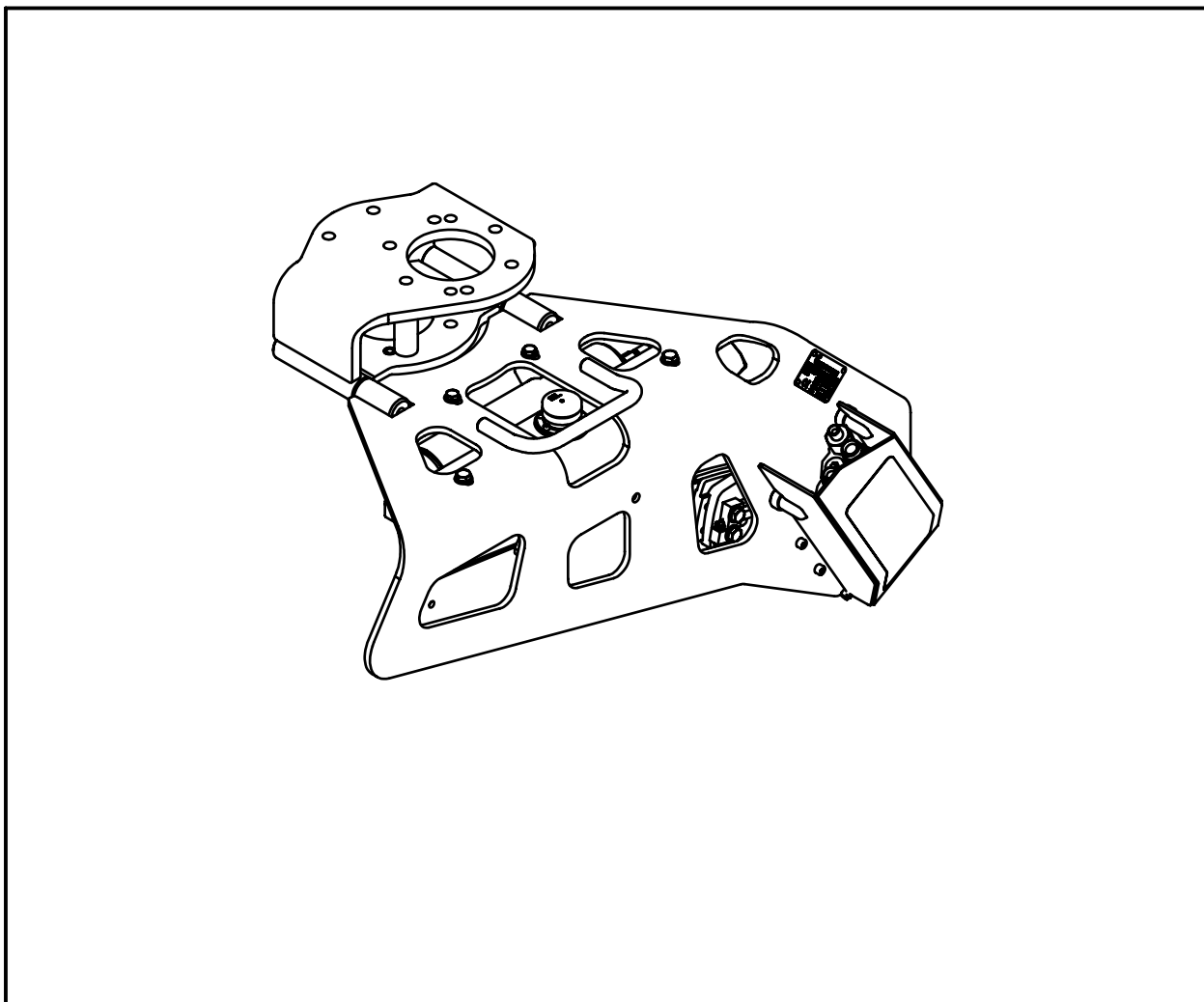


HULTDINS Compact



K55E-10

2003-10-27

Rev. 07

Doc.Nr. 7000243-EN

Utg. 01-03

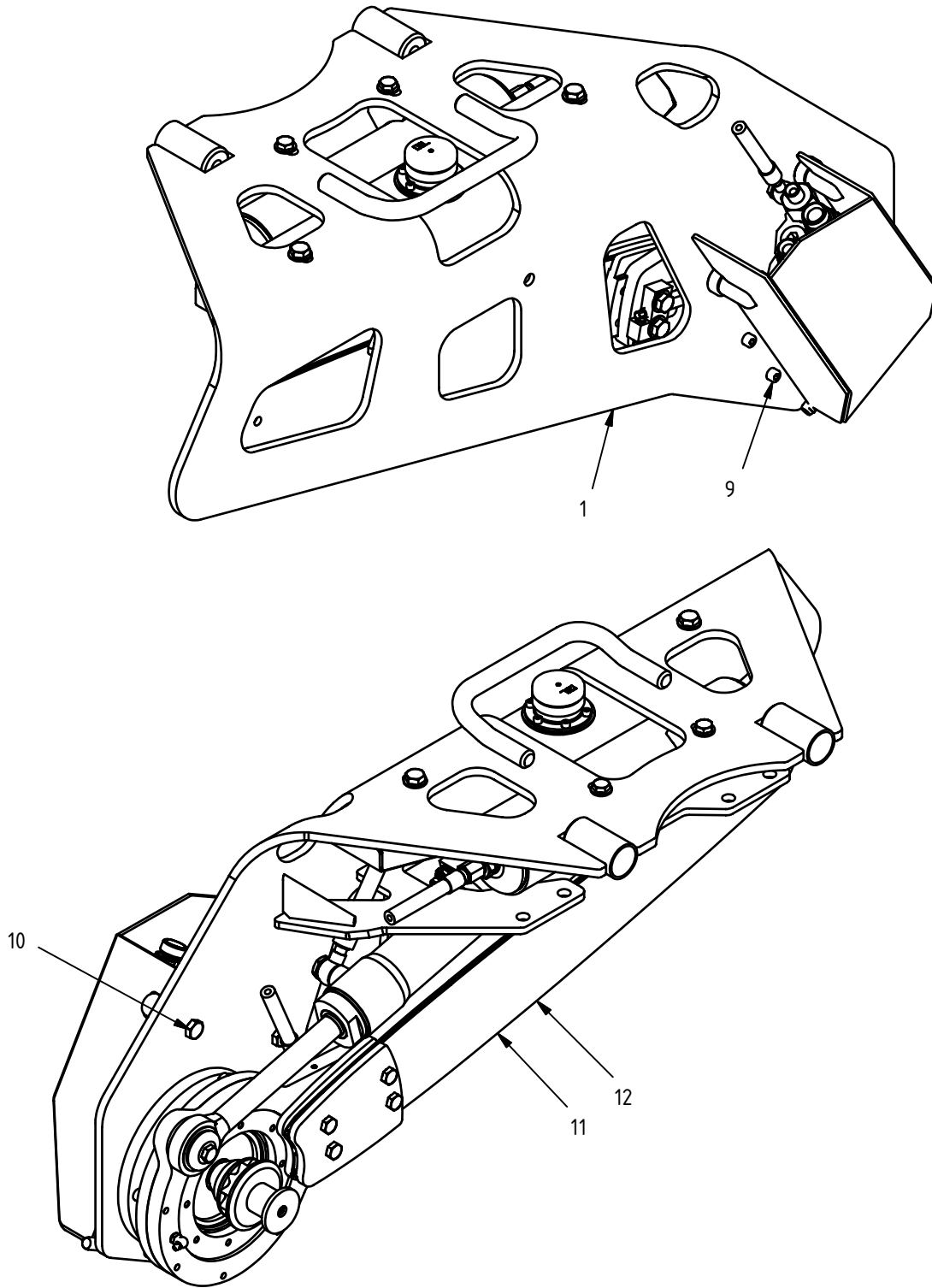
English

Spare parts manual

0669130

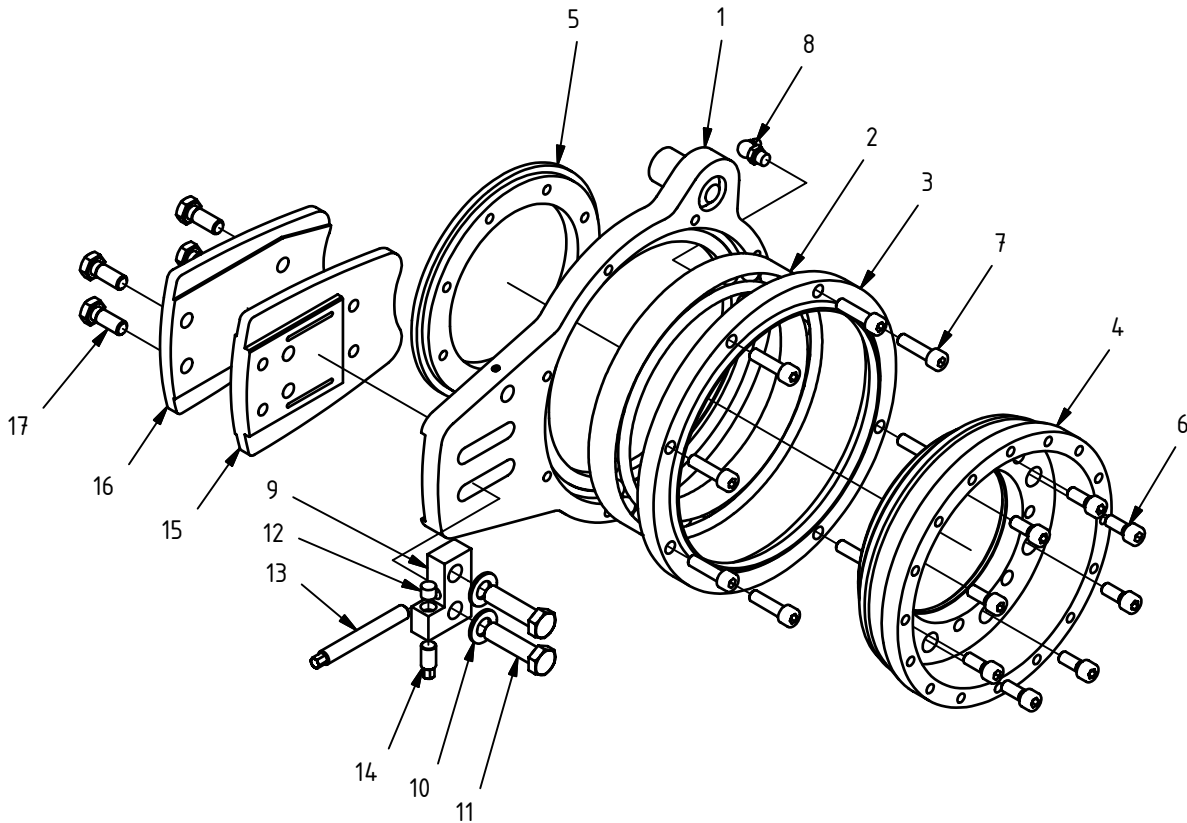
011-1399 and up

K55E-10



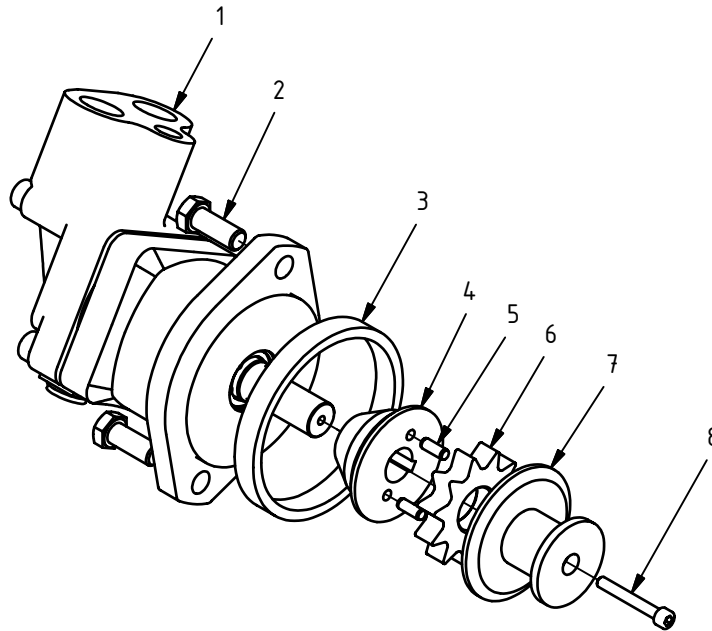
Item	Qty.	Part Number	Description	Notes
1	1	0669102	Main frame	K55
2	1	0662616	Saw unit	
3	1	0669231	Saw motor F11-10 assy.	
4	1	0669229	Saw motor manifold assy. K55E/10cc	
5	1	0669230	Chain lubrication system	
6	1	0669236	Feed out cylinder assy.	
7	1	0669228	Rotator bracket assy.	
8	1	0669237	Hydraulic group K55E	
9	8	0104441	Socket hd. cap screw	ISO 4762 - M8x22, 12.9
10	2	0104575	Hex hd. cap screw	ISO 4017 - M12x30, 8.8
11	1	0162023	Saw bar	752HSFL114
12	1	0110008	Saw chain	18H-85

Saw unit



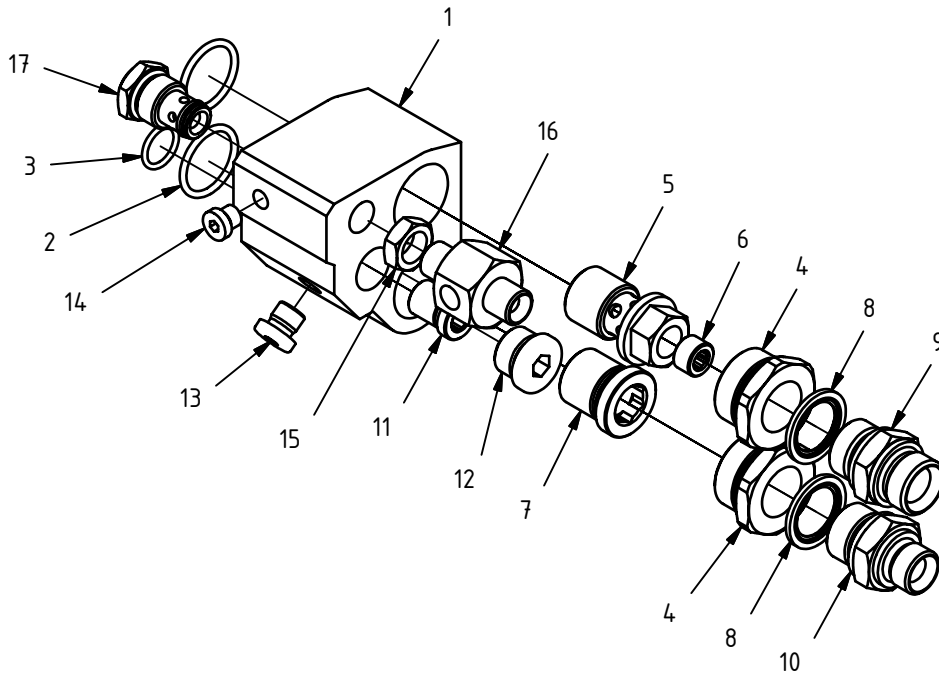
Item	Qty.	Part Number	Description	Notes
1	1	0662602	Bar holder attachment	
2	1	0126015	Roller bearing	61832 MA
3	1	0662053	Washer	
4	1	0662001	Saw motor bracket	
5	1	0662052	Washer	
6	8	0104440	Socket hd. Cap Screw	ISO 4762 - M8x20, 12.9
7	8	0104335	Socket hd. Cap Screw	ISO 4762 - M8x30, 12.9
8	1	0114060	Grease fitting 90°	M10 x 1
9	1	0703614	Tension plate	
10	2	0106587	Plain washer	SS70 - 13 x 24 x 2,0
11	2	0104364	Hex hd. cap screw	ISO 4017 - M12x45, 8.8
12	1	0662605	Locking pin	
13	1	0703035	Tension screw	
14	1	0703036	Stop screw	
15	1	0662601	Bar holder, upper	
16	1	0662013	Bar holder, lower	
17	4	0104561	Hex hd. Cap Screw	ISO 4017 - M10x25, 8.8

Saw motor F11-10 assy.



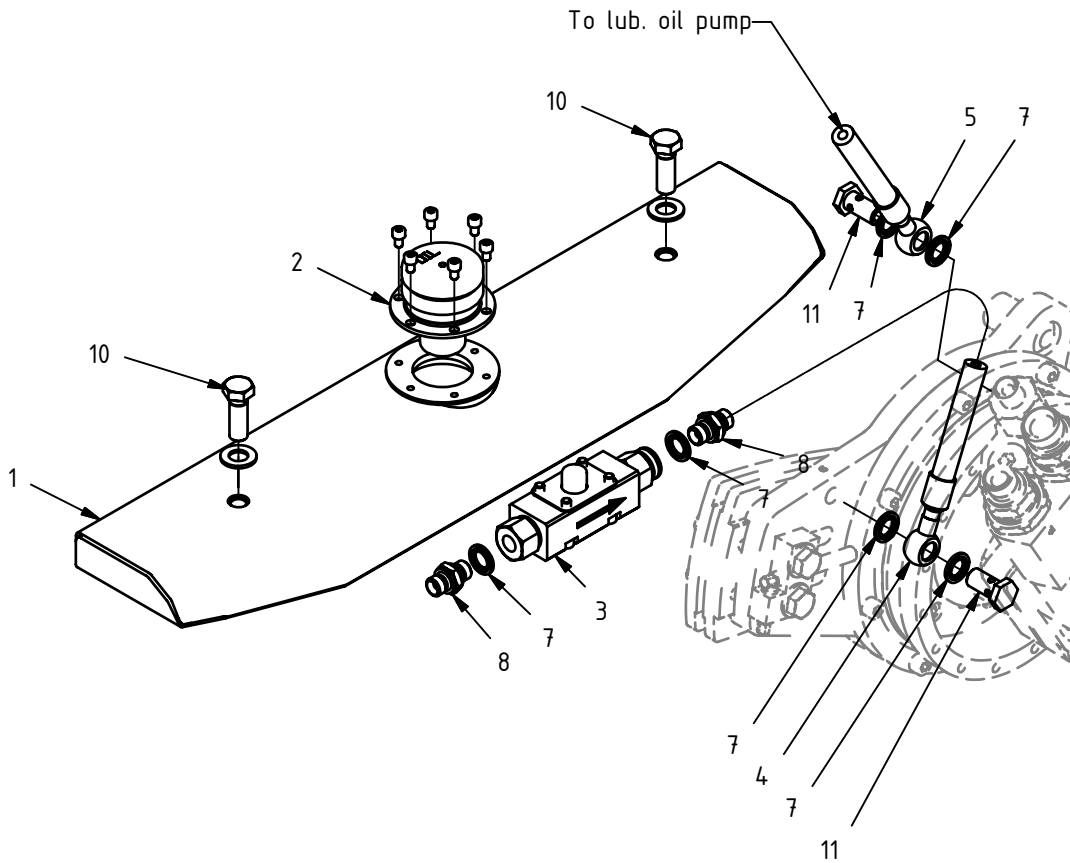
Item	Qty.	Part Number	Description	Notes
1	1	0136532	Hydraulic motor F11-10	
2	2	0104575	Hex hd. cap screw	ISO 4017 - M12x30, 8.8
3	1	0662054	Spacer	
4	1	0662128	Spacer	
5	2	0163007	Dowel pin	ISO 2338 6 m6 x 16 - A
6	1	0109010	Sprocket	404-11-C
7	1	0662191	Chain catcher	
8	1	0104368	Socket hd. Cap Screw	ISO 4762 - M6x45, 12,9

Saw motor manifold assy. - K55E/10cc



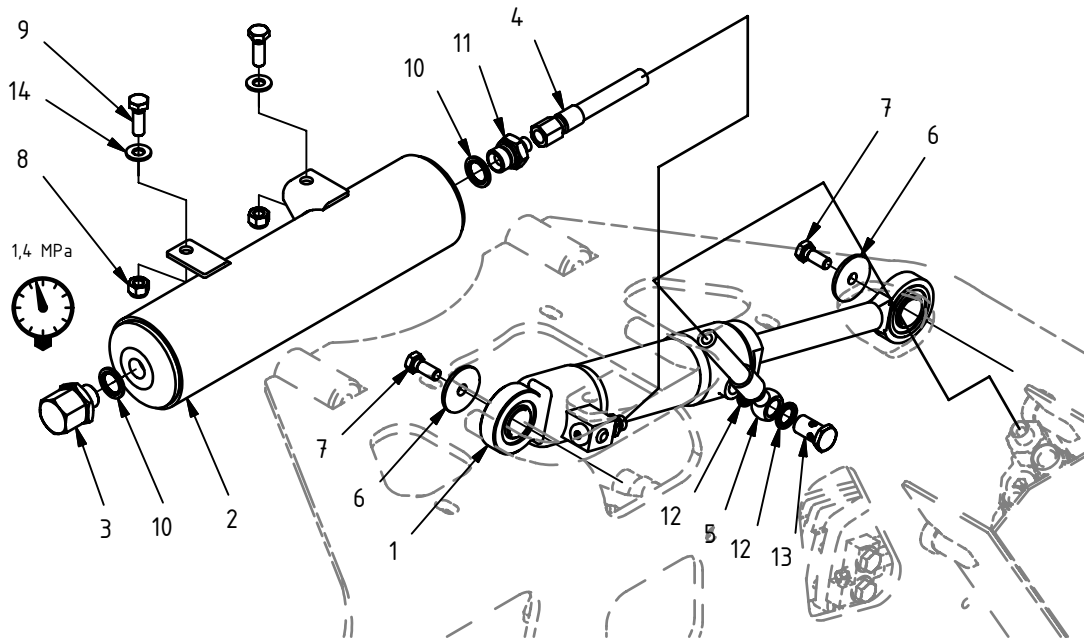
Item	Qty.	Part Number	Description	Notes
1	1	0662055	Manifold F11-10	
2	2	0118003	O-ring	29,2 x 3,0
3	1	0118092	O-ring	17,3 x 2,4
4	2	0662022	Reducing adapter	M35x1,5 / BSPP 3/4"
5	1	0662137	Nipple	
6	1	0669116	Restrictor plug	BSPP 3/8" - ø5,5
7	1	0163064	Collar screw	BSCH 3/4"
8	2	0106584	Bonded Seal	D9DT-12
9	1	0130064	Adapter str.	12HMK4
10	1	0130013	Adapter str.	12-8HMK4
11	1	0163015	Collar screw	BSCH 3/4"
12	1	0130267	Plug	VSTI22X1.5EDA3C
13	1	0130178	Plug	VSTI1/4EDA3C
14	1	0130145	Plug	VSTI10X1EDA3C
15	1	0130166	Nut	BSPP 3/8"
16	1	0662345	Hose connection	
17	1	0136257	Restrictor check valve	CV1-10-P-0-5

Chain lubrication system



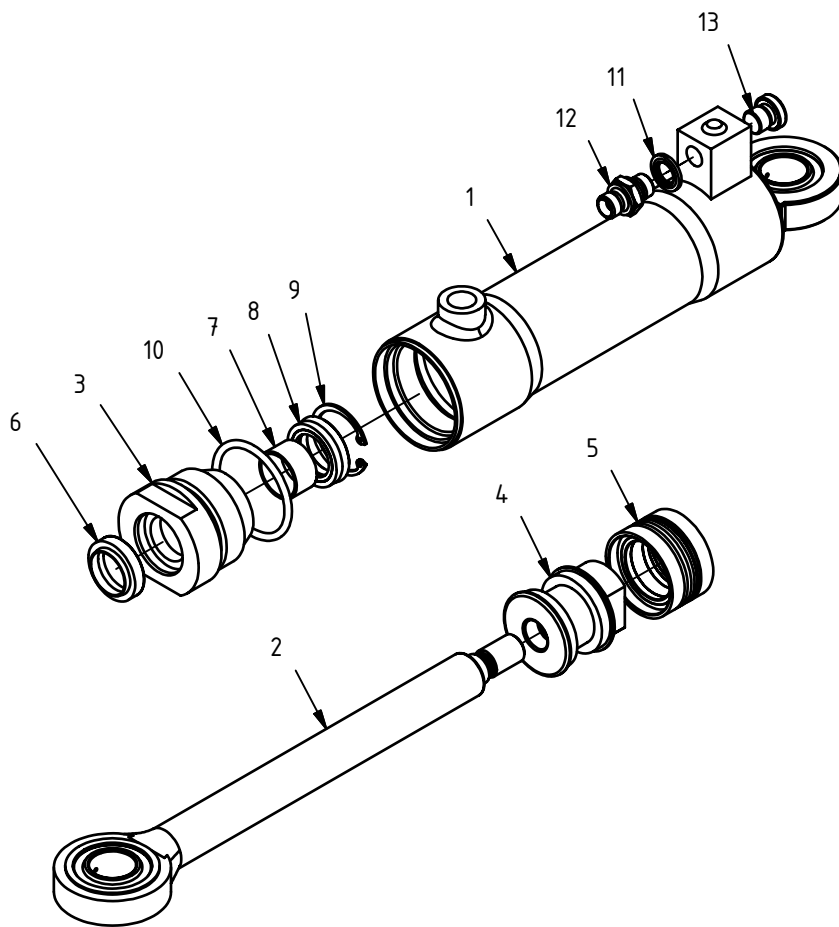
Item	Qty.	Part Number	Description	Notes
1	1	0669109	Lubrication oil tank	K55
2	1	0703505	Filler cap assy.	
3	1	0678100	Lubrication Oil Pump	S02
4	1	0669117	Hose assy.	461-92-49-04-04-04-0550
5	1	0662302	Hose assy.	461-92-49-04-04-04-0830
12	6	0104411	Socket hd. cap screw	ISO 4762 - M5 x 8, 12.9
7	6	0106579	Bonded Seal	D9DT-4
8	2	0130089	Adapter str.	4HMK4
13	2	0106587	Plain washer	SS70 - 13 x 24 x 2,0
10	2	0104372	Hex hd. Cap Screw	ISO 4017 - M12x35, 8.8
11	2	0130193	Banjo Bolt	AR4

Feed out cylinder assy.



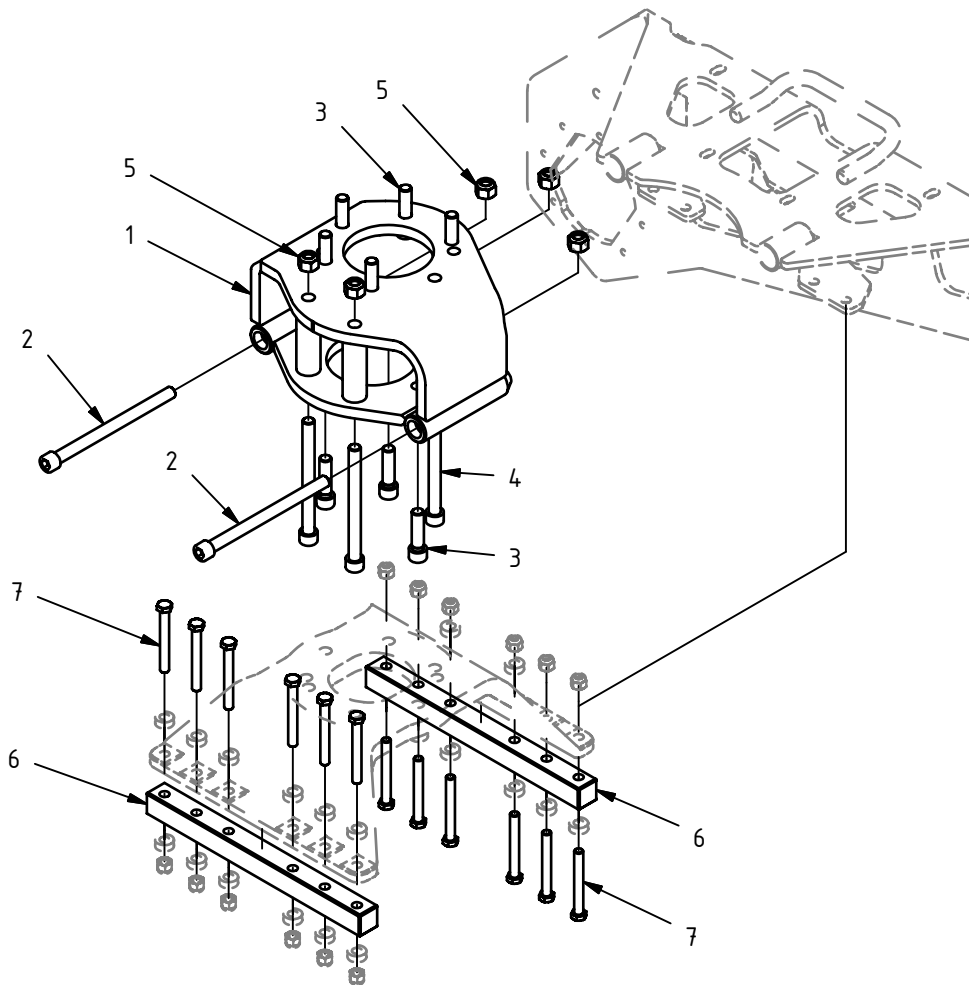
Item	Qty.	Part Number	Description	Notes
1	1	0150014	Hydraulic cylinder	50/25-361.5-141
2	1	0669010	Air-tank	K55
3	1	0669118	Air Nipple assy.	
4	1	0662242	Hose assy.	461-92-92-04-04-04-0350
5	1	0662162	Hose assy.	461-92-49-06-06-06-0410
6	2	0662008	Washer	
7	2	0104561	Hex hd. Cap Screw	ISO 4017 - M10x25, 8.8
8	2	0106075	Nut	DIN 6924 - M10, 8 fzb
9	2	0104371	Hex hd. cap screw	ISO 4017 - M10x30, 8.8
10	2	0106577	Bonded Seal	D9DT-8
11	1	0130114	Adapter str.	8-4HMK4
12	2	0106581	Bonded Seal	D9DT-6
13	1	0130281	Banjo Bolt	AR6
14	2	0106583	Washer	10,5 x 22 x 2

Feed out cylinder



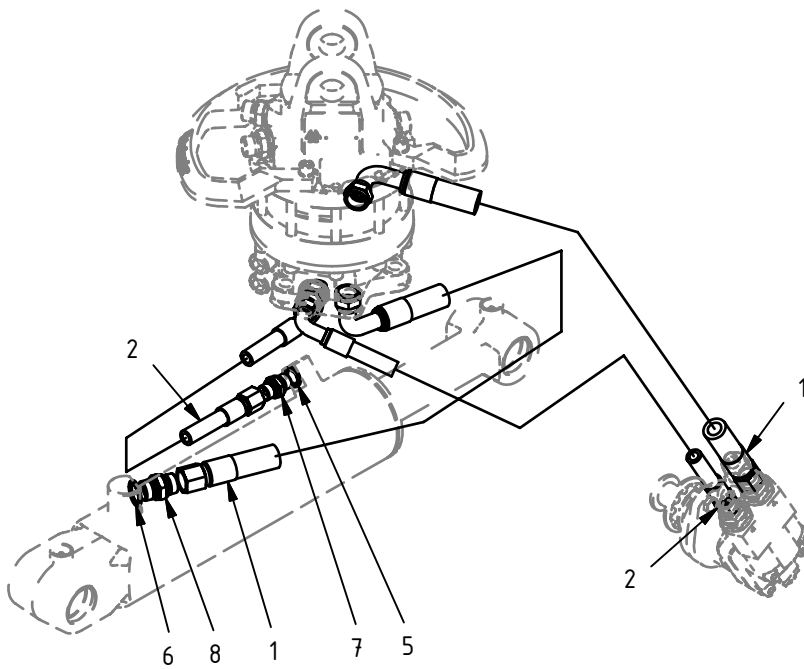
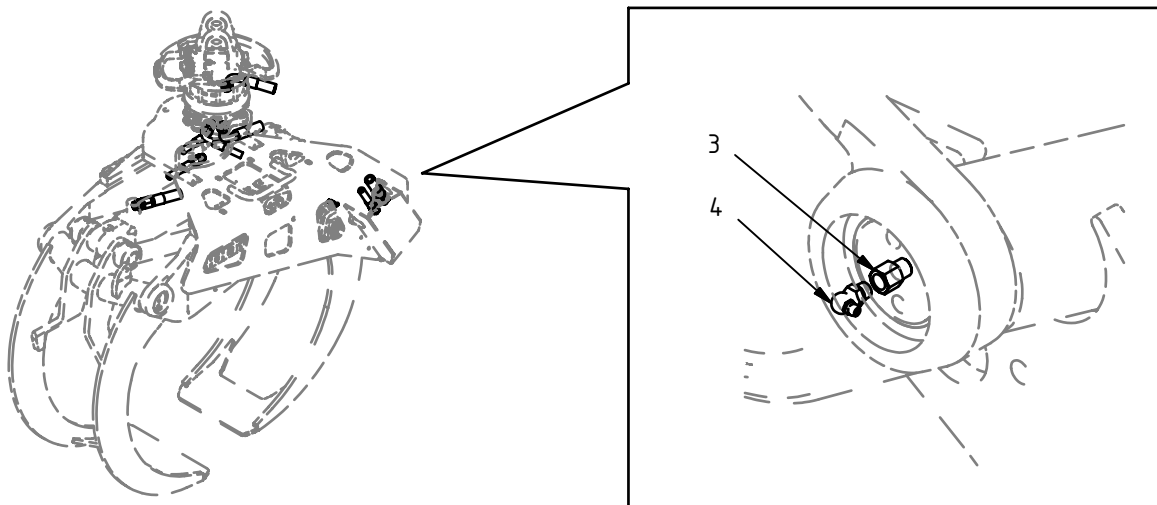
Item	Qty.	Part Number	Description	Notes
1	1	0662157	Barrel assy.	K55
2	1	0662032	Piston rod 25	
3	1	0662033	Gland	50/25
4	1	0662030	Piston	ø50
5	1	0120029	Piston seal	M 50/34x18.4-R/TP
6	1	0116002	Dust seal	GA 25/35x7x10
7	1	0124075	Plain Bearing	2515
8	1	0120031	Rod seal	SG 25/38x10-(E)
9	1	0112061	Retaining Ring	SGH 38
10	1	0118081	O-ring	50 x 4,0
11	1	0106579	Bonded Seal	D9DT-4
12	1	0130089	Adapter str.	4HMK4
13	1	0130178	Plug	VST11/4EDA3C
-	-	0121053	Seal kit	item #5-10

Rotator bracket assy.



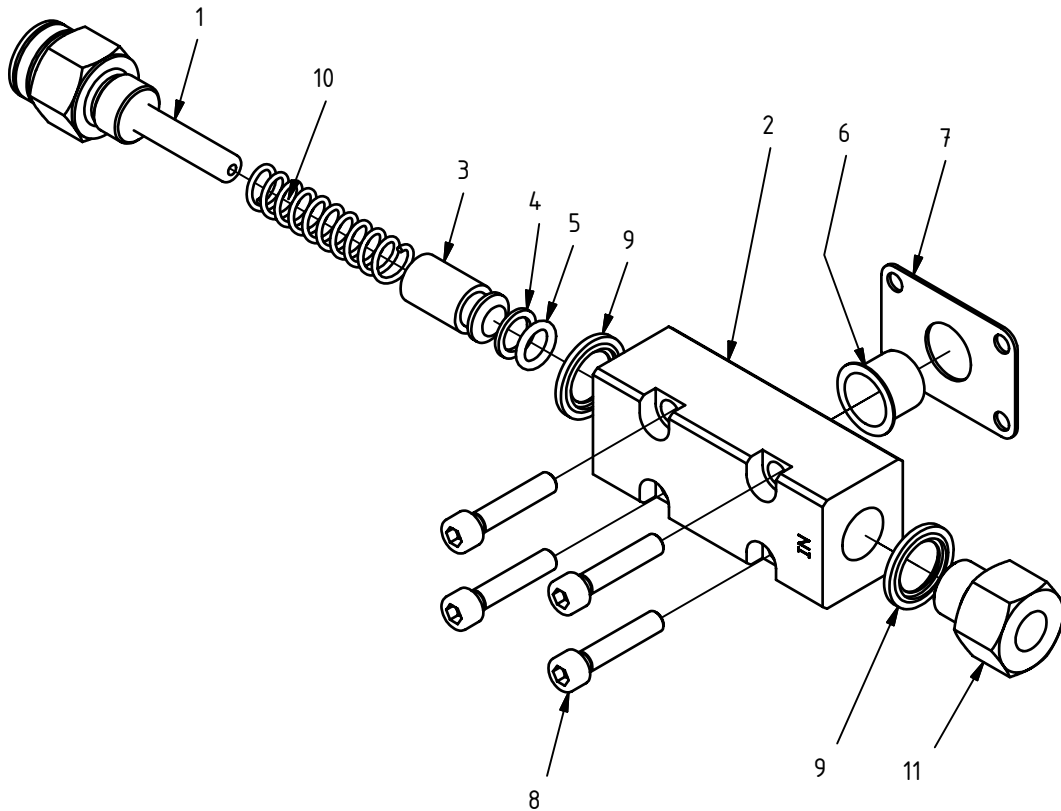
Item	Qty.	Part Number	Description	Notes
1	1	0669122	Rotator bracket	K55E
2	2	0104007	Socket hd. cap screw	ISO 4762 - M16x200, 12.9
3	8	0104121	Socket hd. cap screw	ISO 4762 - M16x60, 12.9
4	3	0104155	Socket hd. cap screw	ISO 4762 - M16x180, 12.9
5	5	0106084	Lock Nut	DIN 982 - M16, 8 fzb
6	2	0669131	Spacer	
7	12	0104580	Hex hd. cap screw	ISO 4014 - M12x100, 10.9

Hydraulic Group K55E



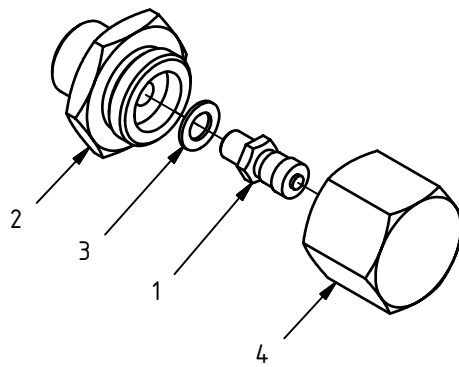
Item	Qty.	Part Number	Description	Notes
1	2	0662159	Hose assy.	371-B2-92-12-12-12-0800
2	2	0669115	Hose assy.	461-B2-92-08-08-08-0800
3	1	0130234	Nipple	712-12724-6
4	1	0114060	Grease fitting 90°	M10 x 1
5	1	0106577	Bonded Seal	D9DT-8
6	1	0106584	Bonded Seal	D9DT-12
7	1	0130008	Nipple	8-HMK4
8	1	0130064	Adapter str.	12HMK4

Lubrication Oil Pump S02



Item	Qty.	Part Number	Description	Notes
1	1	0678170	Nipple S02	
2	1	0678101	Housing	
3	1	0678171	Piston	ø14
4	1	0118530	Backup Ring	10/14
5	1	0118108	O-ring	9,3 x 2,4
6	1	0662533	Strainer	
7	1	0703033	Gasket	
8	4	0104426	Socket hd. Cap Screw	ISO 4762 - M6x30, 12.9
9	2	0106581	Bonded Seal	D9DT-6
10	1	0114540	Tension spring	1,5 x 11,6 x 80
11	1	0662531	Nipple	

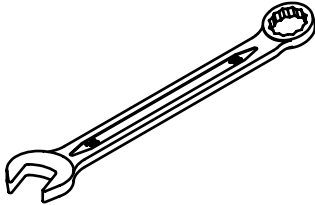
Air-nipple assy.



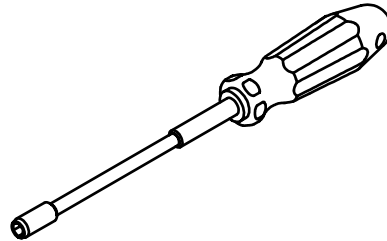
Item	Qty.	Part Number	Description	Notes
		0669118	Air-nipple assy.	item #1-4
1	1	0136295	Air-nipple	
2	1	0669119	Nipple	
3	1	0106575	Bonded seal	M8
4	1	0130280	Cap	BSP 3/4"

Accessories K55

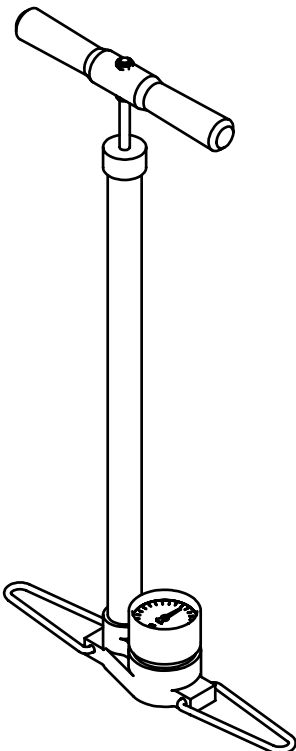
18 mm Combination wrench
P/N 0145001



7 mm Nut driver
P/N 0145002



Air pump
P/N 0138042



Warning label
P/N 0146033



HULTDINS **Compact**



Hultdin System AB
Skolgatan 12, SE-930 70 MALÅ, Sweden
tel. +46 953 418 00, fax +46 953 418 01
E-mail: sales@hultdins.se

English

Hultdins Inc.
22 Morton Avenue East
Brantford, Ontario, Canada N3R 7J7
tel (519) 754-0044, fax (519) 754-1569
E-mail: info@hultdins.com