




MultiGripTM

BY HULTDINS





HULTDIN SYSTEM AB – ONE OF THE WORLD'S LEADING MANUFACTURERS OF FORESTRY ATTACHMENTS. HEAD- QUARTERS AND MAIN PART OF THE PRODUCTION IS LOCATED IN SCENIC MALÅ, NORTHERN SWEDEN.

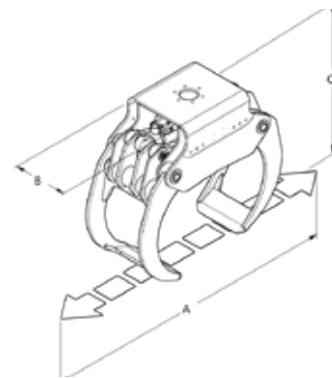
Hultdins MultiGrip is based on SuperGrip the best-selling professional grapple in the world. No matter if it is on a forwarder, self-loader or excavator, in desert heat or freezing cold, on a sunny day or in pouring rain. Every hour of the day, every day of the year, tens of thousands of Hultdins grapples are handling various logs in all corners of the globe. This is not a mere coincidence. Hultdins has developed and produced grapples for almost 50 years. Big efforts are put in trying to offer the best products for our customers at a reasonable cost. We know that in the end it is only when our customer reaches a higher productivity and product lifetime than someone who is working with another grapple, that we can feel safe. We believe this philosophy is welcome also in the construction world. Thank you for choosing a grapple from Hultdins!



MG

Product features

- Flexible bypass grapple for tough jobs
- Complete with excavator mount
- Includes load-check valve and accumulator for maximal safety
- Extra strong solid push rods
- Tapered sleeve pin design eliminates any joint motion
- Available with OilQuick excavator mounts
- SuperSaw saw attachment available to all models



		MG12	MG16	MG20
Suitable machine weight	ton	9-14	12-18	16-22
Weight from approx.	kg	315	474	560
Max. load	kg	6 000	8 000	10 000
Grapple area, tip-tip	m ²	0.26	0.36	0.52
Max. gripping width, A	mm	1 496	1 822	2 279
Max. width, B	mm	454	531	531
Min. gripping diameter	mm	82	94	179
Height, arms tip-tip, C	mm	910	1 016	1 163
Max. working pressure	MPa	25	25	25
Gripping force, arms tip-tip, at 35 MPa	kN	16	20	24
Recommended excavator mounts	Model	S40, S45, S50, S60	S50, S60, S70, B20	S50, S60, S70, S80, B20, B27
		OQ 45, OQ60	OQ60, OQ60- 5, OQ70	OQ70, OQ80

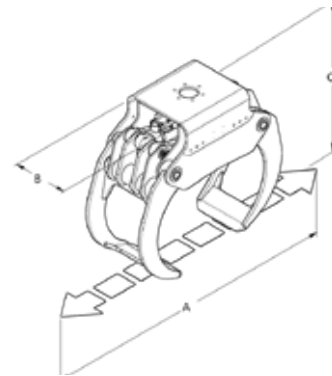


MG-T

Product features

- Robust tip-tip grapple for tough jobs*
- Complete with excavator mount
- Includes load-check valve and accumulator for maximal safety
- Extra strong solid push rods
- Tapered sleeve pin design eliminates any joint motion
- Available with OilQuick excavator mounts
- Reversible and replaceable tips in high grade wear steel
- Mechanical stops for both fully open and closed

* Note: MG16-T is not designed for demolition or breaking applications



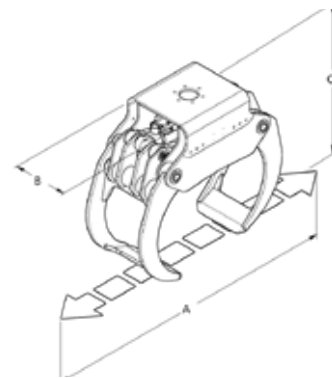
		MG16-T
Suitable machine weight	ton	12-18
Weight from approx.	kg	630
Max. load	kg	10 000
Gripping area, tip-tip	m ²	0,28
Max. gripping width, A	mm	1 773
Max. width, B	mm	480
Height, arms tip-tip, C	mm	1 017
Max. working pressure	MPa	25
Gripping force, tip-tip, at 35 MPa	kN	20
Recommended excavator mounts	Model	S60, S70, B20 0Q60, 0Q60-5, 0Q70



MG / XR

Product features

- Flexible bypass grapple for tough jobs
- Machined bolt pattern on top to attach rotator, can also be used to weld on existing mount
- Includes load-check valve and accumulator for maximal safety
- Extra strong solid push rods
- Tapered sleeve pin design eliminates any joint motion
- SuperSaw 555S saw attachment available to all models
- Rotator available with fixed excavator mount or link



		MG12	MG16	MG20
Suitable machine weight	ton	9–14	12–18	16–22
Weight excl. rotator	kg	310	460	590
Max. load	kg	6000	8 000	10 000
Grapple area, tip-tip	m ²	0.26	0.36	0.52
Max. gripping width, A	mm	1496	1 822	2 279
Max. width, B	mm	454	531	531
Min. gripping diameter	mm	82	94	179
Height, arms tip-tip, C	mm	910	1 063	1 210
Max. working pressure	MPa	25	25	25
Gripping force, arms tip-tip, at 35 MPa	kN	16	20	24
Recommended rotator	Model	XR300	XR400*	XR400, XR500*

*) Other bolt patterns on request

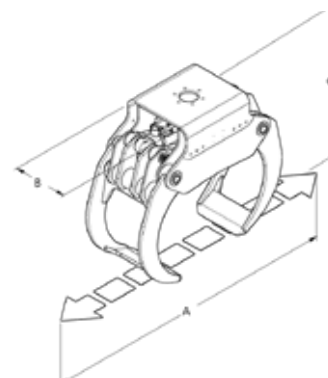


MG-T / XR

Product features

- Robust tip-tip grapple for tough jobs*
- Complete with excavator mount
- Includes load-check valve and accumulator for maximal safety
- Extra strong solid push rods
- Tapered sleeve pin design eliminates any joint motion
- Reversible and replaceable tips in high grade wear steel
- Mechanical stops for both fully open and closed
- Rotator available with fixed excavator mount or link

*) Note: MG16-T is not designed for demolition or breaking applications



		MG16-T
Suitable machine weight	ton	12-18
Weight excl. rotator	kg	612
Max. load	kg	10 000
Gripping area, tip-tip	m ²	0,28
Max. gripping width, A	mm	1 773
Max. width, B	mm	480
Height, arms tip-tip, C	mm	1 017
Max. working pressure	MPa	25
Gripping force, tip-tip, at 35 MPa	kN	20
Recommended rotator	Model	XR400*

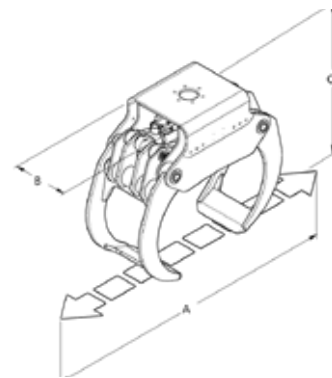
*) Other bolt patterns on request



MG / SUPERSAW

Product features

- Automatic chain tensioning and proportional chain lubrication
- Fast and easy bar and chain replacement
- Built in and protected bar feed cylinder
- Pressure feed out system for optimized saw performance
- Simple adjustment of bar feed pressure
- Simple installation on all MG-grapples



555S-19

Saw motor displacement	cm ³	19
Weight	kg	105
Length, A*	mm	1168
Width, B*	mm	184
Height, C*	mm	465
Width, D	mm	148
Min. hydraulic pressure, saw motor	MPa	16
Min. hydraulic oil flow, saw motor	l/min	110
Max. power input to saw chain	See recommendations from each saw chain manufacturer	
Max. saw chain speed	See recommendations from each saw chain manufacturer	
Saw chain	inch	.404"
Saw bar	cm	90 / 100

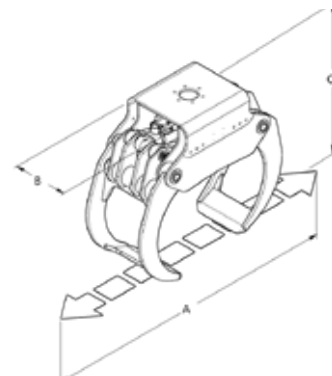
*) Refers to SuperSaw 555S-19 as an example



MG XR/ SUPERSAW

Product features

- Automatic chain tensioning and proportional chain lubrication
- Fast and easy bar and chain replacement
- Built in and protected bar feed cylinder
- Pressure feed out system for optimized saw performance
- Simple adjustment of bar feed pressure
- Simple installation on all MG-grapples



555S-19

Saw motor displacement	cm ³	19
Weight	kg	105
Length, A*	mm	1168
Width, B*	mm	184
Height, C*	mm	465
Width, D	mm	148
Min. hydraulic pressure, saw motor	MPa	16
Min. hydraulic oil flow, saw motor	l/min	110
Max. power input to saw chain	See recommendations from each saw chain manufacturer	
Max. saw chain speed	See recommendations from each saw chain manufacturer	
Saw chain	inch	.404"
Saw bar	cm	90 / 100

*) Refers to SuperSaw 555S-19 as an example



YOUR PRODUCTIVITY - OUR DRIVING FORCE

Hultdin System AB is a world leading manufacturer of components to mechanized forestry. With the productivity and profitability of our customers in focus we have over the years developed a wide product range consisting of Grapples, Saw Units, Grapple Saws, Damping and Lubrication Systems for forestry machines.



SuperGripTM

Hultdins' log grapples are divided into three series, each with slightly different characteristics. However, common to all is that they're designed to increase your productivity and every component is of high quality. Today, our grapples are fitted as standard by many major forwarder manufacturers.



SuperCutTM

Today, every other tree in the world is harvested with a Hultdins SuperCut – and that says a lot about the knowledge we've accumulated over the years. Our goal is to make your work as painless as possible. We try to achieve this with innovative solutions, such as automatic chain tensioning, fully protected feed cylinders, and integrated proportional chain lubrication.



SuperSawTM

The majority of our grapple saws are used for full tree harvesting but also for clearance and maintenance. Hultdins' grapple saws are the most dominant brand by far. With six different grapple saw series, each encompassing several models, we have the market's widest range.



Damping SystemTM

A hydraulic damper enables you to work faster and improves the machine's service life – as well as your health. Hydraulic oil is an excellent means to use cylinders to transfer force because it's so incompressible. But this incompressibility also means that it transmits vibrations and jolts that fatigue both the machine and the operator. Our dampers reduce these undesirable forces without affecting the machine's performance.



Lubrication SystemTM

Oil almost always soils both the forest and the machine. Our pumps use biodegradable chain grease instead, which adheres better between the chain and the bar.



SuperGrip



SuperSaw



SuperCut



DampingSystem



LubricationSystem

Hultdin System AB is a leading manufacturer of tools and integrated components for forestry and construction machines. Hultdins products such as the SuperGrip, SuperSaw and SuperCut are used throughout the world. Ever since 1928, we've been developing products to make machine contractors productive. We try to meet the needs of today while predicting the needs of tomorrow. This is something we can do best by working in the forest in both practice and theory.



sales@hultdins.se
hultdins.com

**Headquarters,
Sweden**

Telephone: (46) 953-418 00

Address:

Hultdin System AB
Box 100
Skolgatan 12
SE-939 31 Malå

**Sales office,
North America**

Telephone: (519) 754-0044
Fax: (519) 754-1569

Address:

Hultdins Inc
22 Morton Avenue East
Brantford, Ontario
Canada N3R7J7