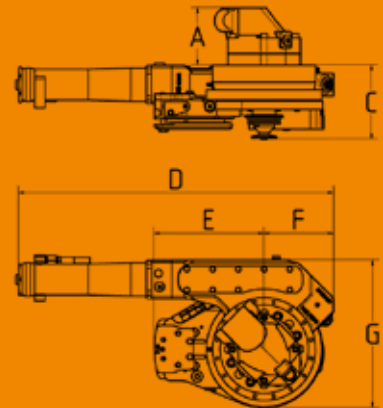


SuperCut®



SUPERCUT STANDARD

Features

- Automatic chain tensioning
- Proportional chain lubrication
- 90 degrees bar feed angle
- Built in bar feed cylinder
- Saw bar home sensor - option
- Check-valve for drain circuit - option

		10 cc Parker	19 cc Parker
Saw motor displacement	cm ³	10	19
Weight incl. saw motor	kg	37	41
Min. working pressure	MPa	See recommendations from each motor manufacturer	
Min. oil flow	l/min	See recommendations from each motor manufacturer	
Prop. chain lubrication	ml	6	6
Saw bar, max. length	cm	obegränsad	obegränsad
Height motor, A	mm	105	112
Max. height, C	mm	144	144
Total length, D	mm	612	612
Max. length bar holder, E	mm	213	213
Length, F	mm	135	135
Width, G	mm	287	287
Saw chain	mm	.404"	.404"
Max. saw chain speed		See recommendations from each saw chain manufacturer	
Max. power to saw chain		See recommendations from each saw chain manufacturer	



SuperGrip



SuperSaw



SuperCut



DampingSystem



LubricationSystem

Hultdin System AB is a leading manufacturer of tools and integrated components for forestry and construction machines. Hultdins products such as the SuperGrip, SuperSaw and SuperCut are used throughout the world. Ever since 1928, we've been developing products to make machine contractors productive. We try to meet the needs of today while predicting the needs of tomorrow. This is something we can do best by working in the forest in both practice and theory.

Hultdin System AB
Box 100
Skolgatan 12
SE-939 31 Malå
+46 953 418 00
sales@hultdins.se

 **HULTDINS**

hultdins.com

